

BRAUN Scouting Cam
Black400 WiFi 4K



BRAUN PHOTO TECHNIK GmbH

Merkurstr. 8

72184 Eutingen

Germany

www.braun-phototechnik.de

post@braun-phototechnik.de

Language

English-----	01~18
Deutsch-----	19~38
Française-----	39~58
Italiana-----	59~77
Española-----	78~96

Table of Contents

1. Function Introduction-----	02
2. Instructions for Use-----	02
3. Appearance, Button Function Introduction-----	03
4. System Settings-----	05
5. Playback Modes-----	11
6. Turn on WIFI by Bluetooth Remote-----	12
7. Working Mode Description-----	16
8. Image / Data Output-----	17
9. Specification-----	18

1. Function Introduction

Thank you for buying our BRAUN hunting camera. This product is a dedicated high-definition digital camera that can record and observe wildlife. This camera has passive infrared sensing technology. It can automatically capture high-resolution images and smooth video. This hunting camera will be in energy-saving mode when there is no detection of the animal (body), which can be for a long time. To operate the camera, please read this manual carefully before using it. The contents contained in this manual refer to the latest information at the time the manual was written. Due to technical development and production batches, it may be slightly different from your actual use. Please refer to the actual product functions.

If you are in trouble or need help, please kindly contact our Customer Service Team via email: post@braun-phototechnik.de

2. Instructions for Use:

- Before using this product, please find the battery container and install eight 1.5VAA batteries, make sure the battery polarity is correct.
- When using a power adapter, please find the DC port at the bottom of the camera and plug it in at the end of the power adapter to supply power. (Note: Use the DC 6.0V/1.5A adapter.)
- When using a newly purchased memory card for the first time, make sure to format the memory card before using it.
- This camera must use C10 or higher grade high-speed TF card.

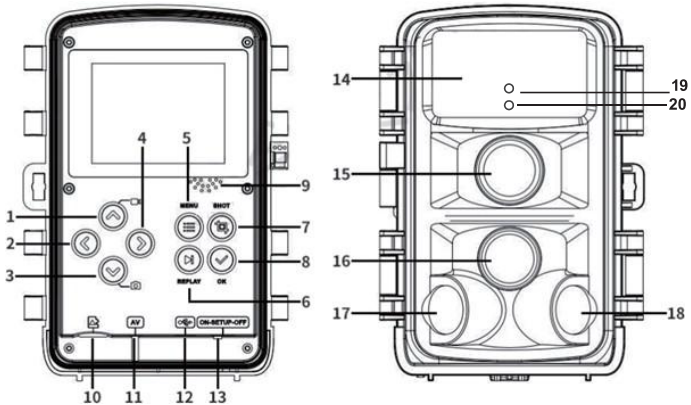
The usage of the memory card is as follow:

- According to the instruction next to the memory card slot (chipset downward), push the TF card into the slot until the card is fully inserted.

- To remove the TF card, gently press the end of the memory card inward, and the memory card will pop out.
- If repeated or improper use too many times, the memory card will reduce its performance or may damage the recorded data. Please buy a new memory card.

Note: The memory card will become hot after long-term use, which is normal.

3. Appearance, Button Function Introduction



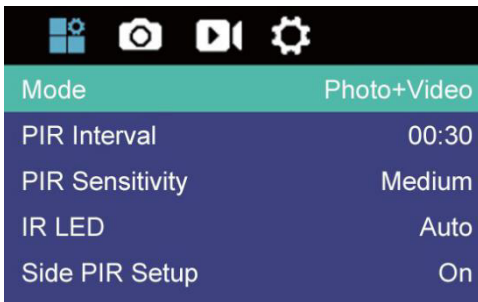
- | | | |
|------------------|-----------------------|-------------------------|
| 1. UP Button | 8. OK Button | 14. LED Light |
| 2. LEFT Button | 9. Speaker | 15. Lens |
| 3. DOWN Button | 10. TF Slot | 16. Main PIR |
| 4. RIGHT Button | 11. AV Interface | 17. Left Secondary PIR |
| 5. MENU Button | 12. USB Interface | 18. Right Secondary PIR |
| 6. REPLAY Button | 13. ON SETUP OFF Mode | 19. Side PIR Indicator |
| 7. SHOT Button | | 20. Main PIR Indicator |

Buttons	Functions
UP Button	<ol style="list-style-type: none"> 1. Short press the UP button to up select setting when in menu setting mode. 2. Short press the UP button to switch to recording mode when in picture mode. 3. Set the time and power-on password, short press the UP button to adjust the numbers or letters upwards.
DOWN Button	<ol style="list-style-type: none"> 1. Short press the DOWN button to down select setting when in menu setting mode. 2. Short press the DOWN button to switch to picture mode when in recording mode. 3. Set the time and power-on password, short press the DOWN button to adjust the numbers or letters downwards
LEFT/RIGHT Button	<ol style="list-style-type: none"> 1. Short press the RIGHT button to switch the menu mode in the main menu mode, and short press the RIGHT button to right selection in the menu setting mode. 2. Short press the RIGHT button to right selection in the replay interface. 3. Set the time and power-on password, short press RIGHT button to select the next option.
MENU Button	<ol style="list-style-type: none"> 1. Open and Exit menu setup menu function. 2. In the playback mode, short press can pop up the delete menu function.
PLAY Button	Preview the image or video file.
SHOT Button	Video recording/capturing function.
OK Button	<ol style="list-style-type: none"> 1. In the menu setting, short press to confirm the function. 2. In the playback mode, short press to play and pause the video function.

4. System Settings

Power on and off /System settings

- After you put the battery in, push the mode from "OFF" to "SETUP" to start up, and you can set the function.
- Press the MENU button to set the system menu settings, the LEFT and RIGHT buttons to switch in various modes, the UP and DOWN buttons to enter the menu function settings. Press the MENU button again to return to the previous menu or exit to the preview interface as pictured:



Mode	Photo+Video
PIR Interval	00:30
PIR Sensitivity	Medium
IR LED	Auto
Side PIR Setup	On

- Press the UP or DOWN button to switch between photo and video mode.
- Switch it to the ON position for monitoring mode: when it is set to the ON position in each mode of taking a photograph, video, video+photograph, the output of each function will be executed.
- Switch to OFF to shut down the state, the LCD can not display any output.

1. Mode

The camera has three modes: Photo, Video, Photo + Video

- Photo:

Select the image size settings, which include:

30MP, 24MP, 20MP, 16MP, 12MP, 8MP, 5MP, 3MP, 1MP.

The larger the size, the higher the image resolution is, the fewer photos can be stored by the memory card, and vice versa. This is available on the “Image Size” Setting interface.

Video:

- Select the video resolution Settings, which include: 4K 30fps, 2K 30fps, 1296 30fps, 1080 30fps, 720 30fps, 480 30fps, 360 30fps.

The higher the resolution, the higher the definition, and the shorter the video time that the memory card can store, and vice versa. This is available on the “Resolution” Setting interface.

Photo + Video: In the ON mode, the camera takes pictures

- and then records.

Note: when the camera is working on SETUP mode and hasn't been operated for more than a certain period of time, it will automatically shut down in order to save energy. The user can click any button to open the screen to restore the display.

2. PIR Interval

Set the PIR interval. When you choose different modes, the set

- time period is different.

Photo: PIR interval setting time (between 5 seconds and 60

- minutes)

Video and Photo: PIR interval setting time

- (between 10 seconds and 60 minutes)
- During the selected time interval, the camera will not record any photos or videos, which can prevent the memory card from saving too many files and occupying memory capacity.

3. PIR Sensitivity

Set the sensitivity of the main sensor.

- When the indoor environment is very small, "Low" shall be selected.
- When the outdoor environment is normal, "Medium" shall be selected.
- When the external environment has a great impact on the shooting, "High" shall be selected.

4. IR LED

- Option: Auto, Economy, OFF
- Auto: If it is shooting night environment, it will automatically adjust the light brightness reasonably according to the current battery power usage.
- Economy: As long as the IR LED light is turned on, the light will be in a weaker brightness to make the battery last longer;
- OFF: When it is turned off, the IR light will not be turned on when the light is dark or completely black.
- **Note:** It is recommended to use the "Auto" option to automatically adjust the brightness of the IR-LED light according to the battery power status.

5. Time Lapse

Set the time lapse of the camera. For example, to observe the flowering process of plants, using this function and setting the interval between each shooting, you can record the whole process of flowering. When choosing Time Lapse, press the "OK" button to open this menu. Selecting "ON" will pop up an Hours/Minutes/Seconds window to set. (When this function is on, the main/secondary sensor does not work.)

6. Monitoring Period

Set camera time to work, select "Monitoring Period," then press "OK" to select "ON," and you can set the start time and end time of the camera. After setting up, the camera will only work within the set time every day, and the other time will be in standby state. (When this function is on, the main/secondary sensor does not work.)

7. Side PIR Setup

The induction is wider when both sides of PIR is ON (for pre-opening). When OFF, two sides of the induction do not start.

8. Image Size

Select the image size settings, which include: 30MP, 24MP, 20MP, 16MP, 12MP, 8MP, 5MP, 3MP, 1MP. The larger the size, the higher the image resolution is, the fewer photos can be stored by the memory card, and vice versa.

9. Picture No

Burst Photo option: 1-10, meaning 1, 2, 3...10 continuous photo-taking functions can be selected.

10. Shutter speed

Shutter speed option: 1/15, 1/20, 1/30. The night vision is different in brightness.

11. Resolution

Select the video resolution Settings, which include: 4K 30fps, 2K 30fps, 1296 30fps, 1080 30fps, 720 30fps, 480 30fps, 360 30fps. The higher the resolution, the higher the definition, and the shorter the video time that the memory card can store, and vice versa.

12. Video Length

Set the video length (5-180 seconds optional). The longer you choose, the longer the video recording time. The system presets the video length to 5 seconds.

13. Record Audio

Option: "ON" or "OFF". When it is turned on, there is sound in the recorded video; when it is turned off, there is no sound in the recorded video.

14. Date/Time

Time & Date: Adjust the corresponding time and date according to the local time, then press UP/DOWN to modify the size of numerical value, press the LEFT/RIGHT button to confirm the current value and enter the next setting option. In the year/month/day format: press the UP/DOWN button to select the format (YY/MM/DD, MM/DD/YY, DD/MM/YY). After setting, press OK/MENU to return to the previous menu.

15. Time Format

Option: 12 or 24 hour settings

16. Date Stamp

When this function is turned on, the captured file has watermarks such as time/date/temperature. When this function is turned off, there is no watermark display.

17. Camera Name

The camera name can be set, and it will be displayed in the watermark of the video and picture taken.

18. Password Setting

To set the camera's power-on password: Open the password setting. You can set the 4 digits plus letter combination (0-9 and AZ). If you forget the power-on password, use the universal

password to unlock.

The unlock method is "1111". At the same time, turn the mode button to SETUP mode, and the camera will be unlocked at this time

19. Bluetooth

- When ON (The Mode is "ON" or "SETUP"), mobile phone can search to find the Bluetooth.
- When OFF, no Bluetooth can be searched.

20. WIFI SSID

You can modify the WIFI SSID name. After the modification, the WIFI name will be presented, and the mobile phone can search this WIFI SSID name.

21. WIFI Password

Set WIFI password. After setting is successful, enter this password when the mobile phone is connected to WIFI camera.

22. Auto WIFI Off

Set the camera to automatically turn off the WIFI time. You can choose 1 minute / 2 minutes / 3 minutes. When the camera is in monitoring or SETUP mode, after turning on the WIFI or after connecting to the WIFI and using the APP, the phone is disconnected from the camera. After reaching the camera Default "automatically turn off WIFI" time, the camera will automatically exit WIFI and automatically return to ON (monitoring) or SETUP mode

23. Beep Sound

Option: ON or OFF. Both keys and turn on/off are mute when OFF.

24. Language

This hunting camera supports multiple languages.

25. Format

Execute to format Micro SD card. All data will be cleared after formatting.

26. Default Setting

All functions default to initial state when default setting.

5. Playback Modes

- Remove the hunting camera from the installed position, switch the button from "ON" to SETUP, press REPLAY button to enter the playback mode, press UP/DOWN to view the videos and pictures. Press OK to stop/play, and press REPLAY button to return to preview menu. During the playback, press the UP button to fast forward playback 2 times, 4 times, 8 times; press the button to fast backward playback -2 times, -4 times, -8 times. If you do not want to play the current video during the playback, press the REPLAY button to exit the current playback.
- In the playback interface, press the MENU button to enter the Recovery Setting menu (delete/protect) .
- Delete
Select "Delete Current" to delete selected pictures or videos in the memory card of the camera.
Select "Delete All" to delete all pictures or videos in the memory card of the camera.
- Protect
Select "Lock Current" to prevent the currently set document from being accidentally deleted.
Select "Unlock Current" to remove current document protection.
Select "Lock All" to prevent all documents in the memory card from being accidentally deleted.
Select "Unlock All" to Unlock Multiple Document Protection.

6. Turn on WIFI by Bluetooth Remote

1. WIFI connect with APP

- Before using WIFI, please install the “Hunting 4K Pro” APP on your mobile phone. For your Android device, please search “Hunting 4K Pro” in Google Play. To install on an IOS device, please search “Hunting 4K Pro” in Apple Store and install.
- You can scan the QR code to download the “Hunting 4K Pro” APP.

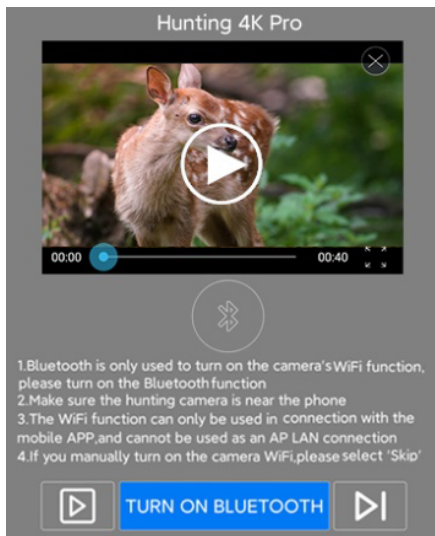


Android/IOS

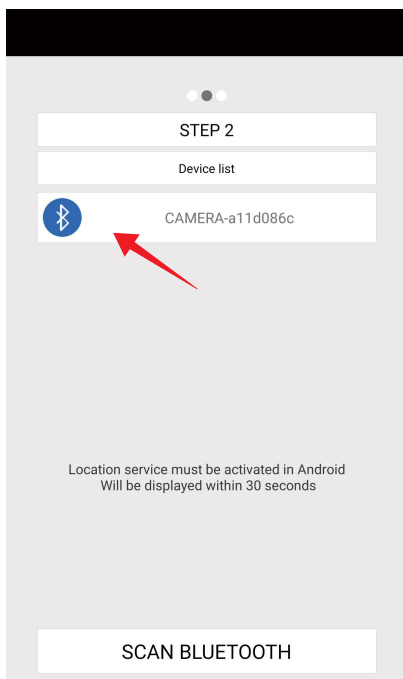
2. Running the “Hunting 4K Pro” App in the device

Before running the app, please make sure the mode of camera is "ON".

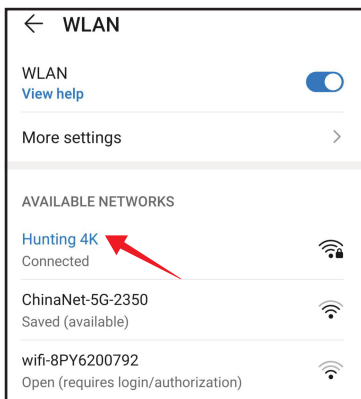
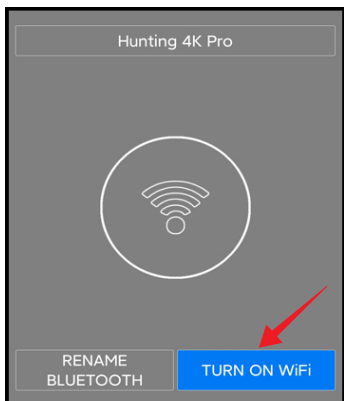
STEP 1: Enter the “Hunting 4K Pro” APP, click on TURN ON BLUETOOTH to automatically search for Bluetooth. (For IOS system, please first turn on the Bluetooth function in the setting page and then enter the “Hunting 4K Pro” APP.)



STEP 2: Search for Bluetooth named CAMERA-***** (8 x random generated code), click to pair once you find it . If you don't find it, please search Again. Match and jump to the next step.



STEP 3: Select "Turn on WiFi", the phone will automatically jump to the wifi connection interface. (IOS phones cannot directly enter the WIFI connection interface due to different systems. Please manually enter the WIFI connection page.) Search for "Hunting 4K" and enter the original password: **12345678**. After successful connection, return to the APP and click "+" to use the camera.



3. Exit WIFI

- When finished with the APP, you can click "EXIT" on the APP preview interface to turn off WIFI. The camera will enter into "ON" mode or "SETUP" mode.

- If you forget to turn off or exit WIFI or when the camera is disconnected from mobile phone, and reaches the camera default "auto shutdown wifi" time, the camera will exit WIFI automatically and return to "ON" mode or "SETUP" mode.

7. Working Mode Description

1. Calibrate the installation position of camera

In the "SETUP" mode, the best shooting angle and range of the camera can be adjusted.

- During calibration, you can choose whether to use the side sensor for observation. The steps to calibrate the camera position are as follows:
- Tie the camera to a tree or an object 1~2 meter high, adjust the camera lens direction, and then slowly move the camera to the other side to monitor the motion track.
- If the side PIR indicator is on, it means that the side sensor has detected the moving object. If the main PIR indicator is on, it means that the main sensor has detected the moving object. In this way, the best position for installing the camera can be found.
- The indicator light will be on only when the sensor detects moving objects in the "SETUP" mode and off in the "ON" mode.
- Make sure that the camera will not be interfered unnecessarily when it is working, and avoid direct sunlight or near the branches.

2. Normal operation mode

- In this mode, the camera is triggered to shot by the sensor; the camera enters monitoring mode when the switch is "ON". After 5 seconds, the LED lights will turn off and the camera starts to operate independently and enter the standby mode. Once an animal enters the area detected by the side sensor, the camera will be activated and detect the motion track. If the animal

continues to move to the main sensor detection area, the camera will take photos or record video automatically, If the animal leaves the area detected by the main sensor, the camera will turn off and return to standby mode.

3. Night mode

- At night, the infrared LED light will turn on automatically to provide necessary lighting for taking photos. The LED light illuminates with a range of about 3-22 meters. If the animals are too close to the camera, it may cause overexposure.
- In night mode, the picture or video is only black and white. When recording video for a long time, low voltage may have a big effect on the stability of the camera, so DO NOT record video at night when the power is low.

Note: If the camera is used at night when the battery voltage is low, the current increases due to the infrared light. Low battery may have a big effect on the stability of the camera. The camera cannot take photos / video or take very dark images, but it does not affect the daytime photo or video.

8. Image / Data Output

Connect to your computer to download photos/videos

After the camera is connected to the computer and enters the removable disk mode, a removable disk will be added in the "My Computer" window. Taken photos or videos will be stored in the "DCIM" directory on the removable disk. You can enter this directory to copy files to your computer hard disk.

Note: To avoid data loss, do not disconnect the data cable during file downloading, and do not plug or unplug the memory card when connected.

9. Specification

LCD Screen	2.4 inch
Photo Resolution	30MP, 24MP, 20MP, 16MP, 12MP, 8MP, 5MP, 3MP, 1MP
Video Resolution	4K 30fps, 2K 30fps, 1296 30fps, 1080 30fps, 720 30fps, 480 30fps, 360 30fps
Menu language	English, French, Spanish, Portuguese, Deutsch, Italian, Chinese and Japanese
Memory card	TF card support 128GB
Format	JPEG/MP4
USB	USB 2.0
DC	External DC power supply (dc-6V/1.5A)
Speaker	Support
MIC	Support

Note: the product design specifications are formulated according to the latest information in the preparation of this manual and are subject to change without notice. Please refer to the actual camera.

Inhaltsverzeichnis

1. Einführung-----	20
2. Instruktionen-----	20
3. Erscheinungsbild, Tastenfunktionen-----	21
4. Systemeinstellungen-----	23
5. Wiedergabe Modi-----	29
6. WLAN über Bluetooth einschalten-----	31
7. Beschreibungen der Arbeitsmodi-----	36
8. Bild-/Datenausgabe-----	37
9. Technische Daten-----	38

1. Einführung

Vielen Dank, dass Sie unsere BRAUN Jagdkamera gekauft haben. Dieses Produkt ist eine spezielle High-Definition-Digitalkamera, die Wildtiere aufnehmen und beobachten kann. Diese Kamera verfügt über eine PIR-Technologie zur Erkennung von Tieren und Menschen. Sie kann automatisch hochauflösende Bilder und flüssige Videos aufnehmen. Um die Kamera zu bedienen, lesen Sie bitte dieses Handbuch sorgfältig durch, bevor Sie sie benutzen. Die in diesem Handbuch enthaltenen Inhalte beziehen sich auf die neuesten Informationen zum Zeitpunkt der Erstellung des Handbuchs.

Wenn Sie in Schwierigkeiten sind oder Hilfe benötigen, wenden Sie sich bitte per E-Mail an unser Kundenservice-Team:
post@braun-phototechnik.de

2. Instruktionen :

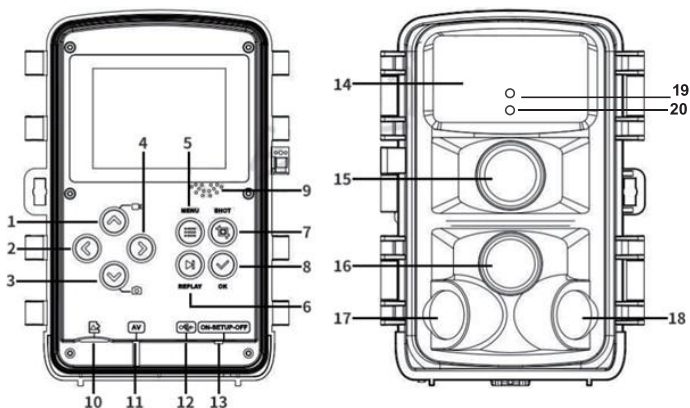
- Bevor Sie dieses Produkt verwenden, finden Sie bitte das Batteriefach und legen Sie acht 1,5VAA-Batterien ein. Stellen Sie sicher, dass die Polarität der Batterien stimmig ist.
- Wenn Sie ein Netzteil verwenden, suchen Sie bitte den Gleichstromanschluss an der Unterseite der Kamera und schließen Sie ihn an das Ende des Netzadapters an, um die Kamera mit Strom zu versorgen. (Hinweis: Verwenden Sie den DC 6,0V/1.5A-Adapter.)
- Wenn Sie zum ersten Mal eine neu gekaufte Speicherkarte verwenden, stellen Sie sicher, dass Sie die Speicherkarte formatieren, bevor Sie sie verwenden.
- Diese Kamera muss eine micro SD-Karte der Klasse 10 oder höher verwenden.

Die Verwendung der Speicherkarte ist wie folgt:

- Schieben Sie die Karte entsprechend der Anweisung neben dem Speicherkartensteckplatz (Chipsatz nach unten) in den Steckplatz, bis die Karte vollständig eingesetzt ist.
- Um die Karte zu entfernen, drücken Sie das Ende der Speicherkarte sanft nach innen, und die Speicherkarte springt heraus.
- Bei wiederholter oder unsachgemäßer Verwendung lässt die Leistung der Speicherkarte nach oder die aufgezeichneten Daten können beschädigt werden. Sie müssen dann eine neue Speicherkarte kaufen.

Hinweis: Die Speicherkarte wird nach längerem Gebrauch heiß, das ist normal.

3. Erscheinungsbild, Tastenfunktionen



1. AUF Taste

2. LINKS Taste

3. AB Taste

4. RECHTS Taste

5. MENÜ Taste

6. ABSPIELEN Taste

7. AUFNAHME Taste

8. OK Taste

9. Lautsprecher

10. micro SD-Schacht 11. AV Buchse 12. USB Buchse
 13. ON / SETUP / AUS Modus 14. IR LEDs 15. Objektiv
 16. Haupt PIR 17. Linke sekundäre PIR 18. Rechte sekundäre PIR
 19. Kontrollleuchte des Seitensensors
 20. Kontrollleuchte des Hauptsensors

Tasten	Funktionen
AUF Taste	<ol style="list-style-type: none"> 1. Drücken Sie kurz die AUF-Taste, um im Menüeinstellungsmodus eine Einstellung nach oben zu wählen. 2. Drücken Sie kurz die AUF-Taste, um vom Bildmodus in den Aufnahmemodus zu wechseln. 3. Stellen Sie die Uhrzeit und das Einschaltpasswort ein. Drücken Sie kurz die AUF-Taste, um die Zahlen oder Buchstaben nach oben einzustellen.
AB Taste	<ol style="list-style-type: none"> 1. Drücken Sie kurz auf die AB-Taste, um im Menüeinstellungsmodus eine Einstellung nach unten zu wählen. 2. Drücken Sie kurz auf die AB-Taste, um im Aufnahmemodus in den Bildmodus zu wechseln. 3. Drücken Sie kurz auf die AB-Taste, um die Zahlen oder Buchstaben für die Uhrzeit und das Einschaltpasswort einzustellen.
LINKS/RECHTS Taste	<ol style="list-style-type: none"> 1. Drücken Sie kurz die LINKS/RECHTS-Taste, um im Hauptmenümodus in den Menümodus zu wechseln, und drücken Sie kurz die LINKS/RECHTS-Taste, um im Menüeinstellungsmodus nach rechts zu wechseln. 2. Drücken Sie kurz die LINKS/RECHTS-Taste, um in der Schnittstelle für Wiedergabe die rechte Auswahl zu treffen. 3. Stellen Sie die Uhrzeit und das Einschaltpasswort ein, drücken Sie kurz die LINKS/RECHTS-Taste, um die nächste Option auszuwählen.

MENÜ Taste	<ol style="list-style-type: none"> 1. Öffnen und Beenden des Menüs. 2. Im Wiedergabemodus kann durch kurzes Drücken die Löschen-Menü-Funktion aufgerufen werden.
ABSPIELEN Taste	Vorschau der Bild- oder Videodatei.
AUFNAHME Taste	Funktion für Video-Aufnahme-/Aufzeichnung.
OK Taste	<ol style="list-style-type: none"> 1. In der Menüeinstellung drücken Sie kurz, um die Funktion zu bestätigen. 2. Drücken Sie im Wiedergabemodus kurz darauf, um ein Video abzuspielen und anzuhalten.

4. Systemeinstellungen

Ein- und Ausschalten / Systemeinstellungen

- Nachdem Sie die Batterien eingelegt haben, schalten Sie den Modus von "OFF" auf "SETUP", um das Gerät einzuschalten, und Sie können die Funktion einstellen.
- Drücken Sie die MENÜ-Taste, um die Systemmenüeinstellungen vorzunehmen, die LINKS- und RECHTS-Tasten, um zwischen den verschiedenen Modi zu wechseln, und die AUF- und AB-Tasten, um die Einstellungen der Menüfunktionen aufzurufen. Drücken Sie die MENÜ-Taste erneut, um zum vorherigen Menü zurückzukehren oder die Vorschaufunktion wie abgebildet aufzurufen:



- Drücken Sie die AUF- oder AB-Taste, um zwischen Foto- und Videomodus zu wechseln.
- Schalten Sie die Taste für den Überwachungsmodus auf ON: Das Display geht aus und die Kamera nimmt im Modus auf, den Sie im Menü eingestellt haben (Foto, Video, Video+Foto).
- Schalten Sie auf OFF, um die Kamera abzuschalten. Das Display wird anschließend ausgeschaltet.

1. Modus

Die Kamera verfügt über drei Modi: Foto, Video, Foto+Video

• Foto:

Wählen Sie die Einstellungen für die Bildgröße, darunter: 30MP, 24MP, 20MP, 16MP, 12MP, 8MP, 5MP, 3MP, 1MP. Je größer, desto höher ist die Bildauflösung, desto weniger Fotos können auf der Speicherkarte gespeichert werden und umgekehrt. Dies ist auf der Einstellungsoberfläche "Fotoauflösung" verfügbar.

• Video

Wählen Sie die Einstellungen für die Videoauflösung, darunter: 4K 30fps, 2K 30fps, 1296 30fps, 1080 30fps, 720 30fps, 480 30fps, 360 30fps. Je höher die Auflösung, desto höher die Dateigrößen und desto kürzer die Videodauer, die auf der Speicherkarte gespeichert werden kann, und umgekehrt. Dies ist auf der Einstellungsoberfläche "Auflösung" verfügbar.

- Foto+Video: Im Modus ON nimmt die Kamera Bilder auf und zeichnet anschließend ein Video auf.

Hinweis: Wenn sich die Kamera im SETUP-Modus befindet und länger als eine bestimmte Zeit nicht bedient wurde, schaltet sie sich automatisch ab, um Strom zu sparen. Der Anwender kann auf eine beliebige Taste klicken, um den Bildschirm zu aktivieren und die Anzeige wiederherzustellen.

2. PIR -Intervall

- Stellen Sie das PIR-Intervall ein. Wenn Sie verschiedene Modi wählen, ist die eingestellte Zeitspanne unterschiedlich.
- Foto: PIR-Intervall-Einstellzeit (zwischen 5 Sekunden und 60 Minuten)
- Video und Foto + Video: PIR-Intervall-Einstellzeit (zwischen 10 Sekunden und 60 Minuten)
- Während des gewählten Zeitintervalls nimmt die Kamera nach einer Aufnahme keine Fotos oder Videos auf, um zu verhindern, dass zu viele Dateien auf der Speicherkarte gespeichert werden und Speicherkapazität belegt wird.

3. PIR-Sensitivität

Stellen Sie die Empfindlichkeit des Hauptsensors ein.

- Wenn die Umgebung in Innenräumen sehr klein ist, sollte "Niedrig" gewählt werden.
- Wenn die Außenumgebung normal ist, sollte "Mittel" gewählt werden.
- Wenn die Außenumgebung einen großen Einfluss auf die Aufnahmen hat, muss "Hoch" ausgewählt werden.

4. IR LED

- Option: Auto, Sparsam, Aus
- Auto: Bei Nachtaufnahmen wird die Helligkeit automatisch entsprechend dem aktuellen Batteriestromverbrauch angepasst.
- Sparsam: Solange das IR-LED-Licht eingeschaltet ist, leuchtet es schwächer, damit die Batterie länger hält;
- Aus: Wenn es ausgeschaltet ist, wird das IR-Licht nicht eingeschaltet.
- **Hinweis:** Es wird empfohlen, die Option "Auto" zu verwenden, um die Helligkeit des IR-LED-Lichts automatisch an den Batteriestatus anzupassen.

5. Zeitraffer

Stellen Sie den Zeitraffer der Kamera ein. Wenn Sie z. B. den Blühprozess von Pflanzen beobachten möchten, können Sie mit dieser Funktion und der Einstellung des Intervalls zwischen den einzelnen Aufnahmen den gesamten Blühprozess aufzeichnen. Wenn Sie "Zeitraffer" wählen, drücken Sie die "OK"-Taste, um dieses Menü zu öffnen. Wenn Sie "An" wählen, öffnet sich ein Fenster zur Einstellung von Stunden/Minuten/Sekunden. (Wenn diese Funktion eingeschaltet ist, funktioniert der Haupt-/Sekundärsensor nicht).

6. Überwachungszeit

Wählen Sie "Überwachungszeitraum", dann drücken Sie "OK", um "An" zu wählen, und Sie können die Start- und Endzeit der Kamera einstellen. Nach der Einstellung wird die Kamera jeden Tag nur innerhalb der eingestellten Zeit in Betrieb sein, und die andere Zeit wird sie sich im Standby-Modus befinden. (Wenn diese Funktion eingeschaltet ist, funktioniert der Haupt-/Sekundärsensor nicht).

7. Seiten-PIR-Einst.

Die Erfassung ist breiter, wenn beide Seiten des PIR angeschaltet sind (für die Voröffnung). Ist die Funktion ausgeschaltet (AUS), werden beide Seiten des PIR-Sensors deaktiviert.

8. Fotoauflösung

Wählen Sie die Einstellungen für die Bildgröße, darunter: 30MP, 24MP, 20MP, 16MP, 12MP, 8MP, 5MP, 3MP, 1MP. Je größer die Bildauflösung, desto weniger Fotos können auf der Speicherkarte gespeichert werden und umgekehrt.

9. Bild Nr

Option Serienfoto: 1-10, d.h. es können 1, 2, 3...10 fortlaufende Fotoaufnahmen ausgewählt werden.

10. Belichtungszeit

Verschlusszeit-Optionen: 1/15, 1/20, 1/30. Die Nachtsicht ist in der Helligkeit unterschiedlich.

11. Auflösung

Wählen Sie die Einstellungen für die Videoauflösung, darunter: 4K 30fps, 2K 30fps, 1296 30fps,

1080 30fps, 720 30fps, 480 30fps, 360 30fps.

Je höher die Auflösung, desto größer die Dateigröße und desto kürzer die Videodauer, die auf der Speicherkarte gespeichert werden kann und umgekehrt.

12. Videolänge

Stellen Sie die Videolänge ein (5-180 Sekunden optional). Je länger Sie wählen, desto länger ist die Videoaufnahmezeit. Die Voreinstellung des Systems für die Videolänge ist 5 Sekunden.

13. Rekordaudio

Option: "AN" oder "AUS". Wenn sie eingeschaltet ist, wird das aufgezeichnete Video mit Ton aufgenommen; wenn sie ausgeschaltet ist, wird das aufgezeichnete Video ohne Ton aufgenommen.

14. Datum/Uhrzeit

Zeit & Datum: Stellen Sie die entsprechende Uhrzeit und das Datum entsprechend der Ortszeit ein, drücken Sie dann die AUF/AB-Taste, um die Größe des Zahlenwerts zu ändern, drücken Sie die LINKS/RECHTS-Taste, um den aktuellen Wert zu bestätigen und die nächste Einstellungsoption aufzurufen. Im Format Jahr/Monat/Tag: Drücken Sie die AUF/AB-Tasten, um das Format auszuwählen (JJ/MM/TT, MM/TT/JJ, TT/MM/JJ). Nach der Einstellung drücken Sie OK/MENÜ, um zum vorherigen Menü zurückzukehren.

15. Zeitformat

Option: 12 oder 24 Stunden Einstellungen

1. Datumsstempel

Wenn diese Funktion eingeschaltet ist, wird die aufgenommene Datei mit Wasserzeichen wie Zeit/Datum/Temperatur versehen. Wenn diese Funktion ausgeschaltet ist, wird kein Wasserzeichen angezeigt.

2. Kameraname

Der Kameraname kann eingestellt werden und wird im Wasserzeichen des aufgenommenen Videos und Bildes angezeigt.

3. Passwort-Einst.

Zum Einstellen des Passwortes beim Einschalten der Kamera: Öffnen Sie die Passwort-Einstellung. Sie können eine Kombination aus 4 Ziffern und Buchstaben (0-9 und AZ) einstellen. Wenn Sie das Einschaltpasswort vergessen haben, verwenden Sie das Universalpasswort zum Entsperren. Die Entsperrmethode ist "1111". Drücken Sie gleichzeitig die Modustaste im SETUP-Modus und die Kamera wird entsperrt.

4. Bluetooth

- Wenn An (der Modus ist "ON" oder "SETUP"), kann das Smartphone nach Bluetooth suchen.
- Wenn Aus, kann kein Bluetooth gesucht werden.

5. WIFI SSID

Sie können den WLAN SSID-Namen ändern. Nach der Änderung wird der WLAN-Name angezeigt, und das Smartphone kann nach diesem WLAN SSID Namen suchen.

6. WIFI Passwort

Legen Sie das WLAN-Passwort fest. Nach erfolgreicher Einstellung geben Sie dieses Passwort ein, wenn das Smartphone mit der WLAN-Kamera verbunden ist.

7. Auto WIFI Aus

Stellen Sie die Kamera so ein, dass sie WLAN automatisch ausschaltet. Sie können 1 Minute / 2 Minuten / 3 Minuten wählen. Wenn sich die Kamera im Überwachungs- oder SETUP-Modus befindet, wird das Smartphone nach dem Einschalten des WLAN oder nach der Verbindung mit dem WLAN und der Verwendung der APP von der Kamera getrennt. Nach Erreichen der Voreinstellung der Kamera "WLAN automatisch ausschalten"-Zeit verlässt die Kamera automatisch das WLAN und kehrt automatisch in den ON (Überwachungs-) oder SETUP-Modus zurück.

8. Piepton

Option: An oder Aus. Beide Tasten und das Ein-/Ausschalten sind stumm, wenn AUS.

9. Sprache

Diese Jagdkamera unterstützt mehrere Sprachen.

10. Format

Führen Sie diese Funktion aus, um die SD-Karte zu formatieren. Sämtliche darauf befindlichen Daten werden beim Formatieren gelöscht.

11. Standard-Einst.

Sämtliche Funktionen werden in der Standardeinstellung auf den Anfangszustand zurückgesetzt.

5. Wiedergabe Modi

- Entfernen Sie die Jagdkamera aus der montierten Position, schalten Sie die Taste von ON auf SETUP um, drücken Sie die ABSPIELEN-Taste, um den Wiedergabemodus aufzurufen, drücken Sie AUF/AB, um sich die Videos und Bilder anzuschauen. Drücken Sie OK, um die Wiedergabe

zu stoppen, und drücken Sie die **ABSPIELEN**-Taste, um zum Vorschaumenü zurückzukehren. Drücken Sie während der Wiedergabe die **AUF**-Taste, um 2, 4 oder 8 Mal vorwärts zu spulen; drücken Sie die Taste, um 2, 4 oder 8 Mal rückwärts zu spulen. Wenn Sie das aktuelle Video während der Wiedergabe nicht wiedergeben möchten, drücken Sie die **ABSPIELEN**-Taste, um die aktuelle Wiedergabe zu beenden.

- Drücken Sie in der Wiedergabeoberfläche die **MENÜ**-Taste, um das Menü Wiederherstellungseinstellungen (Löschen/Schützen) aufzurufen, wie in der Abbildung dargestellt.

- **Löschen**

Wählen Sie "Aktuelles löschen", um ausgewählte Bilder oder Videos auf der Speicherkarte der Kamera zu löschen.

Wählen Sie "Alle löschen", um alle Bilder oder Videos auf der Speicherkarte der Kamera zu löschen.

- **Schützen**

Wählen Sie "Aktuelle sperren", um zu verhindern, dass die aktuelle Datei versehentlich gelöscht wird.

Wählen Sie "Aktuelle entsperren", um den Schutz der aktuellen Datei aufzuheben.

Wählen Sie "Alle sperren", um zu verhindern, dass alle Dateien auf der Speicherkarte versehentlich gelöscht werden.

Wählen Sie "Alle entsperren", um den Schutz für mehrere Dateien aufzuheben.

6. WLAN über Bluetooth einschalten

1. WLAN-Verbindung mit APP

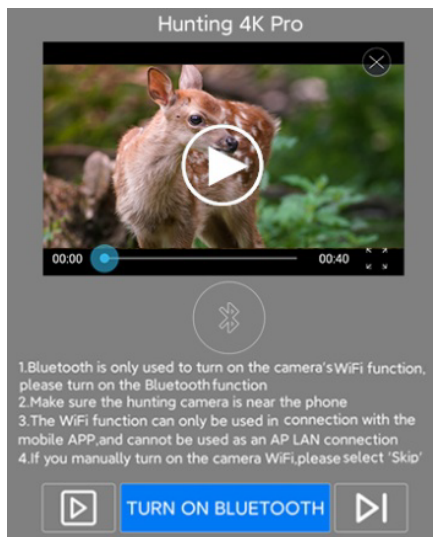
- Bevor Sie WLAN benutzen, installieren Sie bitte die "Hunting 4K Pro" APP auf Ihrem Handy. Für Ihr Android-Gerät, suchen Sie bitte "Hunting 4K Pro" in Google Play. Um auf einem IOS-Gerät zu installieren, suchen Sie bitte "Hunting 4K Pro" im Apple Store und installieren Sie diese App.
- Sie können auch den QR-Code einscannen, um die "Hunting 4K Pro" APP herunterzuladen.



Android/IOS

2. Führen Sie die "Hunting 4K Pro"-App auf Ihrem Gerät aus
Bevor Sie die App ausführen, stellen Sie bitte sicher, dass der Kameramodus "ON" ist.

SCHRITT 1: Klicken Sie auf BLUETOOTH ANSCHALTEN, um automatisch nach Bluetooth zu suchen.



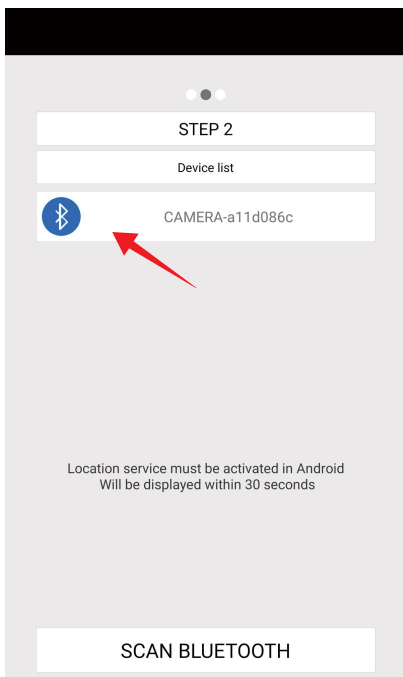
Hunting 4K Pro

00:00 00:40

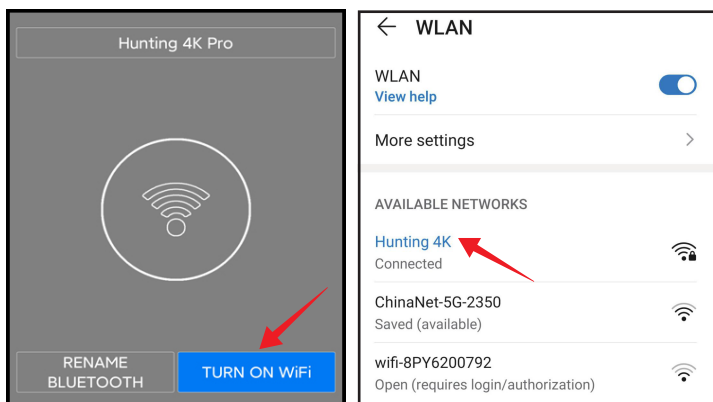
1. Bluetooth is only used to turn on the camera's WiFi function, please turn on the Bluetooth function
2. Make sure the hunting camera is near the phone
3. The WiFi function can only be used in connection with the mobile APP, and cannot be used as an AP LAN connection
4. If you manually turn on the camera WiFi, please select 'Skip'

TURN ON BLUETOOTH

SCHRITT 2: Suchen Sie nach Bluetooth mit dem Namen CAMERA-***** (8 x zufällig generierter Code); Die Suchzeit beträgt 30s, klicken Sie auf Koppeln (Pairing), wenn Sie es gefunden haben. Wenn Sie es nicht finden, suchen Sie bitte erneut. Dann koppeln Sie und gehen Sie zum nächsten Schritt.



SCHRITT 3: Wählen Sie "WLAN einschalten", das Telefon springt automatisch auf die WLAN-Verbindungsschnittstelle. (IOS-Handys können die Verbindungsschnittstelle für das WLAN aufgrund der unterschiedlichen Systeme nicht direkt aufrufen. Bitte rufen Sie die WLAN-Verbindungsseite manuell auf.) Suchen Sie nach "Hunting 4K" und geben Sie das ursprüngliche Passwort ein: **12345678**. Nach erfolgreicher Verbindung kehren Sie zur APP zurück und klicken Sie auf "+", um die Kamera zu verwenden.



4. WLAN beenden

- Wenn Sie mit der APP fertig sind, können Sie auf der APP-Vorschauoberfläche auf "EXIT" klicken, um WLAN auszuschalten. Die Kamera wechselt in den "ON"-Modus oder den "SETUP"-Modus.

- Wenn Sie vergessen, WLAN auszuschalten oder zu beenden, oder wenn die Kamera nicht mit Ihrem Handy verbunden ist und die Standardzeit für das automatische Abschalten von WLAN erreicht ist, wird die Kamera WLAN automatisch beenden und in den Modus "ON" oder "SETUP" zurückkehren.

7. Beschreibungen der Arbeitsmodi

1. Kalibrieren der Installationsposition der Kamera

Im "SETUP"-Modus kann der beste Aufnahmewinkel und die Reichweite der Kamera eingestellt werden.

- Beim Kalibrieren können Sie wählen, ob der Seitensensor für die Beobachtung verwendet werden soll.

Die Schritte zur Kalibrierung der Kameraposition sind wie folgt:

- Befestigen Sie die Kamera an einem Baum oder einem 1~2 Meter hohen Objekt, richten Sie das Kameraobjektiv aus und bewegen Sie die Kamera dann langsam auf die andere Seite, um die Bewegungsspur zu überwachen.
- Wenn die Kontrollleuchte des Seitensensors leuchtet, bedeutet dies, dass der Seitensensor das sich bewegende Objekt erkannt hat. Wenn die Kontrollleuchte des Hauptsensors leuchtet, bedeutet dies, dass der Hauptsensor das sich bewegende Objekt erkannt hat. Auf diese Weise kann die beste Position für die Installation der Kamera gefunden werden.
- Die Kontrollleuchte leuchtet nur, wenn der Sensor im "SETUP"-Modus bewegte Objekte erkennt. Die LED ist im "ON"-Modus ausgeschaltet.
- Stellen Sie sicher, dass die Kamera nicht unnötig behindert wird, wenn sie in Betrieb ist, und vermeiden Sie direktes Sonnenlicht oder die Nähe von Ästen.

2. Normaler Betriebsmodus

- In diesem Modus wird die Kamera durch den Sensor ausgelöst; die Kamera geht in den Überwachungsmodus über, wenn der Schalter

auf "ON" steht. Nach 5 Sekunden schalten sich die LED-Leuchten aus und die Kamera beginnt unabhängig zu arbeiten und in den Standby-Modus zu wechseln. Sobald ein Tier den vom Seitensensor erfassten Bereich betritt, wird die Kamera aktiviert und erkennt die Bewegungsspur. Wenn sich das Tier weiter in den Erfassungsbereich des Hauptsensors bewegt, nimmt die Kamera automatisch Fotos oder Videos auf. Wenn das Tier den vom Hauptsensor erfassten Bereich verlässt, schaltet sich die Kamera aus und kehrt in den Standby-Modus zurück.

3. Nachtmodus

- Nachts schaltet sich das Infrarot-LED-Licht automatisch ein, um die notwendige Beleuchtung für die Aufnahme von Fotos zu gewährleisten. Das LED-Licht leuchtet mit einer Reichweite von etwa 3-22 Metern. Wenn sich die Tiere zu nahe an der Kamera befinden, kann es zu Überbelichtungen kommen.
- Im Nachtmodus ist das Bild oder Video nur schwarz-weiß. Wenn Sie über einen längeren Zeitraum Videos aufnehmen, kann eine niedrige Stromversorgung die Stabilität der Kamera stark beeinträchtigen; nehmen Sie daher nachts KEINE Videos auf, wenn die Stromversorgung niedrig ist.

Hinweis: Wenn die Kamera nachts verwendet wird, erhöht sich der Stromverbrauch aufgrund des Infrarotlichts.

Ein niedriger Batteriestand kann die Stabilität der Kamera daher stark beeinträchtigen. Die Kamera kann keine Fotos/Videos oder sehr dunkle Bilder aufnehmen, aber dies hat keinen Einfluss auf die Foto- oder Videoaufnahmen am Tag.

8. Bild-/Datenausgabe

Verbinden Sie die Kamera mit Ihrem Computer, um Fotos/Videos herunterzuladen. Nachdem die Kamera an den Computer angeschlossen ist und in den Wechseldatenträgermodus wechselt, wird im Fenster "Arbeitsplatz" ein Wechseldatenträger hinzugefügt.

Die aufgenommenen Fotos oder Videos werden im Verzeichnis "DCIM\100MEDIA" auf dem Wechseldatenträger gespeichert. Sie können dann dieses Verzeichnis aufrufen, um die Dateien auf die Festplatte Ihres Computers zu kopieren.

Hinweis: Um Datenverluste zu vermeiden, ziehen Sie das Datenkabel während des Herunterladens von Dateien nicht ab und stecken Sie die Speicherkarte nicht ein, wenn sie angeschlossen ist.

9. Technische Daten

LCD-Bildschirm	2,4 Zoll (6 cm)
Fotoauflösung	30MP, 24MP, 20MP, 16MP, 12MP, 8MP, 5MP, 3MP, 1MP
Videoauflösung	4K/30fps, 2K/30fps, 1296P/30fps, 1080P/30fps, 720P/30fps, 480P/30fps, 360P/30fps
Menüsprache	Englisch, Französisch, Spanisch, Portugiesisch, Deutsch, Italienisch, Chinesisch und Japanisch
Speicherkarte	Unterstützt micro SD-Karte bis max. 128GB
Format	JPEG/MP4
USB	USB 2.0
DC	Externes DC-Netzteil (dc-6V/1.5A)
Lautsprecher	integriert
Mikrofon	integriert

Hinweis: Die technischen Daten des Produkts wurden nach den neuesten Informationen bei der Erstellung dieses Handbuchs formuliert und können ohne vorherige Ankündigung geändert werden. Bitte nehmen Sie Bezug auf die tatsächliche Kamera.

Table des matières

1. Introduction de la fonction-----	40
2. Mode d'emploi-----	40
3. Apparence, introduction de la fonction des boutons---	41
4. Paramètres du système-----	43
5. Modes de lecture-----	50
6. Allumer le WIFI par télécommande Bluetooth-----	52
7. Description du mode de travail-----	56
8. Image / Sortie de données-----	57
9. Spécification-----	58

1. Introduction de la fonction

Merci d'avoir acheté notre caméra de chasse BRAUN. Ce produit est une caméra numérique haute définition dédiée qui peut enregistrer et observer la faune. Cette caméra est dotée d'une technologie pyroélectrique de détection des animaux et des humains. Elle peut capturer automatiquement des images haute résolution et des vidéos fluides. Cette caméra de chasse sera en mode d'économie d'énergie lorsqu'il n'y a pas de détection de l'animal (corps), ce qui peut être pendant une longue période. Pour faire fonctionner la caméra, veuillez lire attentivement ce manuel avant de l'utiliser.

Si vous rencontrez des problèmes ou avez besoin d'aide, veuillez contacter notre équipe de service client par e-mail :
post@braun-phototechnik.de

2. Mode d'emploi:

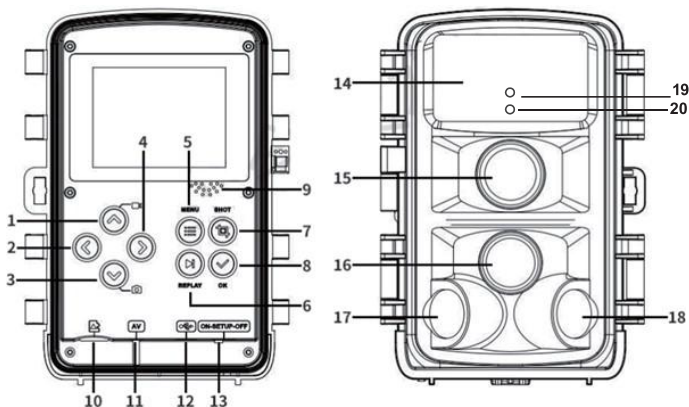
- Avant d'utiliser ce produit, trouvez le compartiment à piles et installez huit piles 1,5VAA. Assurez-vous que la polarité des piles est correcte.
- Lorsque vous utilisez un adaptateur d'alimentation, veuillez trouver le port DC en bas de l'appareil et le brancher à l'extrémité de l'adaptateur d'alimentation pour l'alimenter. (Remarque : utilisez l'adaptateur DC 6.0V/1.5A).
- Lorsque vous utilisez une carte mémoire récemment achetée pour la première fois, assurez-vous de formater la carte mémoire avant de l'utiliser.
- Cet appareil photo doit utiliser une carte TF haute vitesse de catégorie C10 ou supérieure.

L'utilisation de la carte mémoire est la suivante :

- Selon les instructions à côté de la fente de la carte mémoire (puce vers le bas), poussez la carte TF dans la fente jusqu'à ce qu'elle soit complètement insérée.
- Pour retirer la carte TF, appuyez doucement sur l'extrémité de la carte mémoire vers l'intérieur, et la carte mémoire sortira.
- En cas d'utilisation répétée ou incorrecte, les performances de la carte mémoire diminueront ou les données enregistrées risquent d'être endommagées. Vous devez acheter une nouvelle carte mémoire.

Remarque : La carte mémoire devient chaude après une utilisation prolongée, ce qui est normal.

3. Apparence, introduction de la fonction des boutons



- | | | |
|------------------------------|------------------|-------------------|
| 1. Bouton HAUT | 2. Bouton GAUCHE | 3. Bouton BAS |
| 4. Bouton DROIT | 5. Bouton MENU | 6. Bouton REPLAY |
| 7. Bouton de capture d'image | 8. Bouton OK | 9. Haut-parleur |
| 10. Emplacement TF | 11. Interface AV | 12. Interface USB |

13. mode ON PARAMETRAGE OFF 14. Voyant DEL 15. Objectif
 16. PIR principal 17. PIR secondaire gauche 18. PIR secondaire droit
 19. Témoin Lumineux du Capteur Latéral
 20. Témoin Lumineux du Capteur Principal

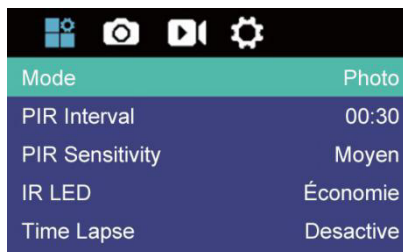
Boutons	Fonctions
Bouton HAUT	<ol style="list-style-type: none"> 1. Appuyez brièvement sur le bouton HAUT pour sélectionner le réglage supérieur lorsque vous êtes en mode de réglage du menu. 2. Appuyez brièvement sur le bouton HAUT pour passer au mode d'enregistrement lorsque vous êtes en mode photo. 3. Réglez l'heure et le mot de passe de mise en marche, appuyez brièvement sur le bouton HAUT pour ajuster les chiffres ou les lettres vers le haut.
Bouton BAS	<ol style="list-style-type: none"> 1. Appuyez brièvement sur le bouton BAS pour sélectionner le réglage vers le bas lorsque vous êtes en mode réglage du menu. 2. Appuyez brièvement sur le bouton BAS pour passer au mode image lorsque vous êtes en mode enregistrement. 3. Réglez l'heure et le mot de passe de mise sous tension, appuyez brièvement sur le bouton BAS pour ajuster les chiffres ou les lettres vers le bas.
Bouton GAUCHE/DROIT	<ol style="list-style-type: none"> 1. Appuyez brièvement sur le bouton GAUCHE/DROIT pour passer en mode menu dans le mode menu principal, et appuyez brièvement sur le bouton DROIT pour sélectionner la droite dans le mode réglage du menu. 2. Appuyez brièvement sur le bouton GAUCHE/DROIT pour effectuer une sélection à droite dans l'interface de lecture. 3. Réglez l'heure et le mot de passe de mise sous tension. Appuyez brièvement sur la touche GAUCHE/DROIT pour sélectionner l'option suivante.

Bouton MENU	<ol style="list-style-type: none"> 1. Ouvrez et quittez la fonction du menu de paramétrage. 2. En mode lecture, une pression courte peut faire apparaître la fonction de menu de suppression.
Bouton LECTURE	Prévisualisation de l'image ou du fichier vidéo.
Bouton CAPTURE	Fonction d'enregistrement/capture vidéo.
Bouton OK	<ol style="list-style-type: none"> 1. Dans le menu de configuration, appuyez brièvement pour confirmer la fonction. 2. En mode lecture, appuyez brièvement pour lire et mettre en pause la fonction vidéo.

4. Paramètres du système

Mise en marche et arrêt /Réglages du système.

- Après avoir mis la pile, poussez le mode de " ÉTEINT " à " PARAMÈTRAGE " pour démarrer, et vous pouvez régler la fonction.
- Appuyez sur le bouton MENU pour régler les paramètres du système menu , sur les boutons GAUCHE et DROITE pour passer dans les différents modes, sur les boutons HAUT et BAS pour entrer dans les paramètres de la fonction menu. Appuyez à nouveau sur le bouton MENU pour revenir au menu précédent ou quitter l'interface de prévisualisation comme illustré :



- Appuyez sur le bouton HAUT ou BAS pour passer du mode photo au mode vidéo.
- Mettez-le en position ALLUMÉ pour le mode de surveillance : lorsqu'il est mis en position ALLUMÉ dans chaque mode de prise de photo, vidéo, vidéo+photographie, la sortie de chaque fonction sera exécutée.
- Mettez-le en position ÉTEINT pour arrêter l'état, l'écran LCD ne peut afficher aucune sortie.

1. Mode

L'appareil photo dispose de trois modes Photo, Vidéo, Photo + Vidéo.

- Photo :
Sélectionnez les paramètres de taille d'image, qui comprennent: 30MP, 24MP, 20MP, 16MP, 12MP, 8MP, 5MP, 3MP, 1MP. Plus la taille est grande, plus la résolution de l'image est élevée, moins la carte mémoire peut stocker de photos, et vice versa. Cette option est disponible sur l'interface de réglage de la " Taille Im. ".
- Vidéo
Sélectionnez les paramètres de résolution vidéo, qui comprennent : 4K 30fps, 2K 30fps, 1296 30fps, 1080 30fps, 720 30fps, 480 30fps, 360 30fps. Plus la résolution est élevée, plus la définition est élevée, et plus la durée de la vidéo que la carte mémoire peut stocker est courte, et vice versa. Cette option est disponible sur l'interface de réglage " Resolution ".
- Photo + Vidéo : En mode ALLUMÉ, l'appareil photo prend des photos et enregistre ensuite.

Remarque : lorsque la caméra fonctionne en mode PARAMÈTRAGE et n'a pas été utilisée pendant plus d'un certain temps, elle s'éteint automatiquement afin d'économiser de l'énergie. L'utilisateur peut cliquer sur n'importe quel bouton pour

ouvrir l'écran et restaurer l'affichage.

2. PIR Interval

- Définissez l'intervalle PIR. Lorsque vous choisissez différents modes, la période de temps définie est différente.
- Photo : Durée de réglage de l'intervalle PIR (entre 5 secondes et 60 minutes).
- Vidéo et photo + vidéo : Durée de réglage de l'intervalle PIR (entre 10 secondes et 60 minutes).
- Pendant l'intervalle de temps sélectionné, l'appareil photo n'enregistre aucune photo ou vidéo, ce qui peut empêcher la carte mémoire d'enregistrer trop de fichiers et d'occuper la capacité de mémoire.

3. PIR Sensitivity

Réglez la sensibilité du capteur principal.

- Lorsque l'environnement intérieur est très petit, "Faible" doit être sélectionné.
- Lorsque l'environnement extérieur est normal, il convient de sélectionner "Moyen".
- Lorsque l'environnement extérieur a un grand impact sur la prise de vue, il convient de sélectionner "Supérieur".

4. IR LED

- Option : Auto, Économie, Desactive.
- Auto : S'il s'agit d'une prise de vue dans un environnement nocturne, il ajustera automatiquement la luminosité de manière raisonnable en fonction de l'utilisation actuelle de la pile.
- Économie : Tant que la lumière LED IR est allumée, la lumière sera dans une luminosité plus faible pour que la pile dure plus longtemps;
- Desactive : Lorsqu'elle est désactivée, la lumière IR ne sera pas allumée lorsque la lumière est sombre ou complètement noire.
- **Remarque** : il est recommandé d'utiliser l'option " Auto " pour ajuster automatiquement la luminosité de la lumière IR-LED en fonction de l'état de la pile.

5. Time Lapse

Réglez le délai de prise de vue de l'appareil photo. Par exemple, pour observer le processus de floraison des plantes, en utilisant cette fonction et en réglant l'intervalle entre chaque prise de vue, vous pouvez enregistrer l'ensemble du processus de floraison. Lorsque vous choisissez la fonction Délai d'attente, appuyez sur le bouton "OK" pour ouvrir ce menu. En sélectionnant " Active ", une fenêtre Heures/Minutes/Secondes apparaît pour le réglage. (Lorsque cette fonction est activée, le capteur principal/secondaire ne fonctionne pas).

6. Monitoring Period

Pour régler l'heure de fonctionnement de la caméra, sélectionnez "Monitoring Period", puis appuyez sur "OK" pour sélectionner " Active ". Vous pouvez alors régler l'heure de début et l'heure de fin de la caméra. Après le paramétrage, la caméra ne fonctionnera que pendant la période définie chaque jour, et les autres périodes seront en état de veille. (Lorsque cette fonction est activée, le capteur principal/secondaire ne fonctionne pas).

7. Side PIR Setup

L'induction est plus large lorsque les deux côtés du PIR sont activés (pour la pré-ouverture). Lorsqu'il est désactivé, les deux côtés de l'induction ne démarrent pas.

8. Taille Im

Sélectionnez les paramètres de taille d'image, qui comprennent: 30M, 24MP, 20MP, 16MP, 12MP, 8MP, 5MP, 3MP, 1MP. Plus la taille est grande, plus la résolution de l'image est élevée, moins la carte mémoire peut stocker de photos, et vice versa.

9. Picture No

Option de photo en rafale : 1-10, c'est-à-dire 1, 2, 3...10 fonctions de prise de photos en continu peuvent être sélectionnées.

10. Shutter speed

Option de vitesse d'obturation : 1/15, 1/20, 1/30. La vision nocturne est différente en termes de luminosité.

11. Resolution

Sélectionnez les paramètres de résolution vidéo, qui comprennent : 4K 30fps, 2K 30fps, 1296 30fps, 1080 30fps, 720 30fps, 480 30fps, 360 30fps. Plus la résolution est élevée, plus la définition est élevée, et plus la durée de la vidéo que la carte mémoire peut stocker est courte, et vice versa.

12. Video Length

Définissez la durée de la vidéo (5-180 secondes en option). Plus vous choisissez une durée longue, plus la durée d'enregistrement de la vidéo est longue. Le système prédéfinit la longueur de la vidéo à 5 secondes.

13. Acoustique record

Option : " Active " ou " Desactive ". Lorsqu'elle est activée, il y a du son dans la vidéo enregistrée ; lorsqu'elle est désactivée, il n'y a pas de son dans la vidéo enregistrée.

14. Date/Heure

Heure et date : Réglez l'heure et la date correspondantes en fonction de l'heure locale, puis appuyez sur les boutons HAUT/BAS pour modifier la taille de la valeur numérique, appuyez sur les boutons GAUCHE/DROITE pour confirmer la valeur actuelle et passer à l'option de réglage suivante. Dans le format année/mois/jour :

appuyez sur le bouton HAUT/BAS pour sélectionner le format (AA/MM/JJ, MM/JJ/AA, JJ/MM/AA). Après le réglage, appuyez sur OK/MENU pour revenir au menu précédent.

15. Time Format

Option : Réglages 12 ou 24 heures

16. Marque Date

Lorsque cette fonction est activée, le fichier capturé comporte des filigranes tels que l'heure/date/température. Lorsque cette fonction est désactivée, il n'y a pas d'affichage de filigrane.

17. Camera Name

Le nom de l'appareil photo peut être défini, et il sera affiché dans le filigrane de la vidéo et de la photo prise.

18. Password Setting

Pour définir le mot de passe de mise sous tension de la caméra : Ouvrez le réglage du mot de passe. Vous pouvez définir une combinaison de 4 chiffres et de lettres (0-9 et AZ). Si vous oubliez le mot de passe de mise sous tension, utilisez le mot de passe universel pour le déverrouiller. La méthode de déverrouillage est "1111". En même temps, tournez le bouton de mode sur le mode PARAMÈTRAGE, et la caméra sera déverrouillée à ce moment-là.

19. Bluetooth

- Lorsqu'il est activé (le mode est " ALLUMÉ " ou " PARAMÈTRAGE "),
- le téléphone mobile peut chercher à trouver le Bluetooth. Lorsqu'elle est désactivée (ÉTEINT), aucune recherche de Bluetooth n'est possible.

20. WIFI SSID

Vous pouvez modifier le nom du SSID WIFI. Après la modification, le nom WIFI sera présenté, et le téléphone mobile peut rechercher ce nom WIFI SSID.

21. WIFI Password

Définissez le mot de passe WIFI. Une fois le paramétrage effectué, entrez ce mot de passe lorsque le téléphone mobile est connecté à la caméra WIFI.

22. Auto WIFI Off

Configurez la caméra pour qu'elle s'éteigne automatiquement à l'heure WIFI. Vous pouvez choisir 1 minute / 2 minutes / 3 minutes. Lorsque la caméra est en mode surveillance ou PARAMÈTRAGE, après avoir allumé le WIFI ou après s'être connecté au WIFI et avoir utilisé l'APP, le téléphone est déconnecté de la caméra. Après avoir atteint le temps de "désactivation automatique du WIFI" par défaut de la caméra, la caméra quitte automatiquement le WIFI et revient automatiquement au mode ALLUMÉ (surveillance) ou PARAMÈTRAGE.

23. Bip Sonore

Option : Active ou Desactive. Les deux touches et la mise en marche/arrêt sont muettes lorsqu'elles sont désactivées.

24. Langues

Cette caméra de chasse prend en charge plusieurs langues.

25. Format

Exécuter pour formater la carte SD. Toutes les données seront effacées après le formatage.

26. Regl. Defaut

Toutes les fonctions reviennent par défaut à l'état initial lors du réglage par défaut.

5. Modes de lecture

- Retirez la caméra de chasse de sa position installée, faites passer le bouton de "ALLUMÉ" à PARAMÈTRAGE, appuyez sur le bouton REPLAY pour entrer en mode lecture, appuyez sur HAUT/BAS pour visualiser les vidéos et les photos. Appuyez sur OK pour arrêter/jouer, et appuyez sur le bouton REPLAY pour revenir au menu de prévisualisation. Pendant la lecture, appuyez sur le

bouton HAUT pour avancer rapidement la lecture 2 fois, 4 fois, 8 fois ; appuyez sur le bouton pour reculer rapidement la lecture -2 fois, -4 fois, -8 fois. Si vous ne souhaitez pas lire la vidéo en cours pendant la lecture, appuyez sur le bouton REPLAY pour quitter la lecture en cours.

- Dans l'interface de lecture, appuyez sur le bouton MENU pour accéder au menu de réglage de la récupération (supprimer/protéger) comme indiqué sur l'image.
- Suppression
Sélectionnez "supprimer actuel" pour supprimer les photos ou vidéos sélectionnées dans la carte mémoire de l'appareil photo. Sélectionnez "Supprimer tout" pour supprimer toutes les photos ou vidéos de la carte mémoire de l'appareil photo.
- Protection
Sélectionnez "Verrouiller actuel" pour empêcher la suppression accidentelle du document actuellement défini.
Sélectionnez "Déverrouiller actuel" pour supprimer la protection du document actuel.
Sélectionnez "Verrouiller tout" pour empêcher la suppression accidentelle de tous les documents de la carte mémoire.
Sélectionnez "Déverrouiller tout" pour déverrouiller la protection de plusieurs documents.

6. Allumer le WIFI par télécommande Bluetooth

1. Connexion WIFI avec APP

- Avant d'utiliser le WIFI, veuillez installer l'APP "Hunting 4K Pro" sur votre téléphone portable. Pour votre appareil Android, veuillez rechercher "Hunting 4K Pro" dans Google Play. Pour l'installer sur un appareil IOS, veuillez rechercher "Hunting 4K Pro" dans Apple Store et l'installer.
- Vous pouvez scanner le code QR pour télécharger l'APP "Hunting 4K Pro".

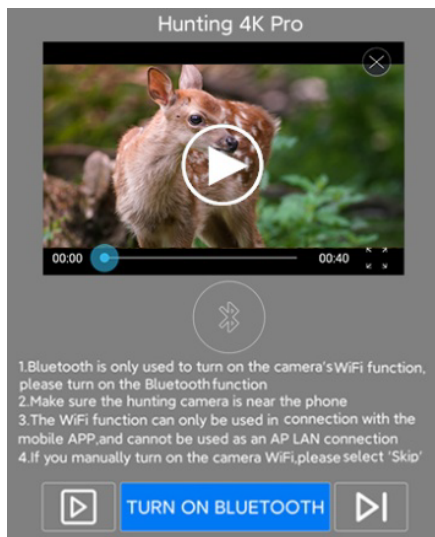


Android/IOS

2. Exécuter l'application "Hunting 4K Pro" sur l'appareil.

Avant d'exécuter l'application, assurez-vous que le mode de la caméra est "ON".

ÉTAPE 1: Cliquez sur ACTIVÉ BLUETOOTH pour rechercher automatiquement le Bluetooth.



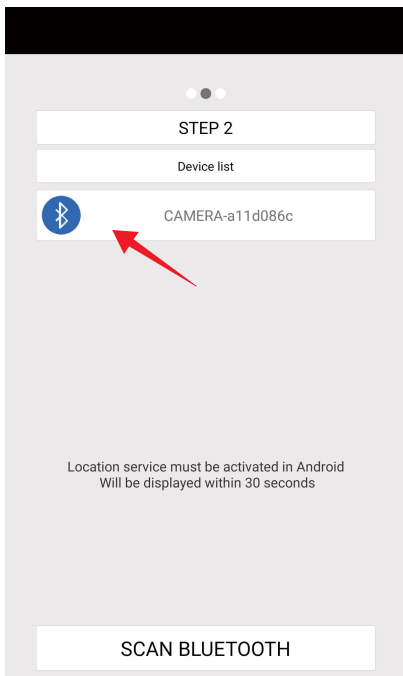
Hunting 4K Pro

00:00 00:40

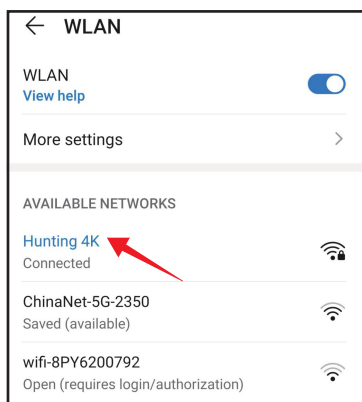
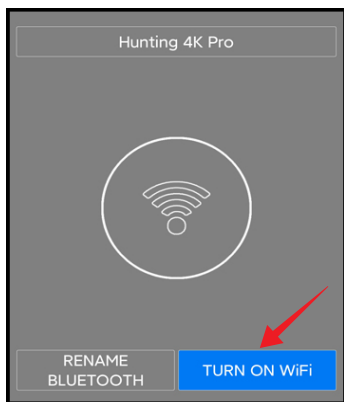
1. Bluetooth is only used to turn on the camera's WiFi function, please turn on the Bluetooth function
2. Make sure the hunting camera is near the phone
3. The WiFi function can only be used in connection with the mobile APP, and cannot be used as an AP LAN connection
4. If you manually turn on the camera WiFi, please select 'Skip'

TURN ON BLUETOOTH

ÉTAPE 2: Recherchez le Bluetooth nommé CAMERA-***** (8 x code généré au hasard) ; Le temps de recherche est de 30s, cliquez sur "Pair" une fois que vous l'avez trouvé. Si vous ne le trouvez pas, cherchez à nouveau encore une fois. Appairier et passer à l'étape suivante.



ÉTAPE 3: Sélectionnez "Activé WiFi", le téléphone passera automatiquement à l'interface de connexion wifi. (Les téléphones IOS ne peuvent pas entrer directement dans l'interface de connexion WIFI en raison de systèmes différents. Veuillez entrer manuellement dans la page de connexion WIFI). Recherchez "Hunting 4K" et entrez le mot de passe original : **12345678**. Une fois la connexion réussie, retournez à l'APP et cliquez sur "+" pour utiliser la caméra.



3. Quitter le WIFI

- Lorsque vous avez terminé avec l'APP, vous pouvez cliquer sur "SORTIE" sur l'interface d'aperçu de l'APP pour désactiver le WIFI. L'appareil photo passera alors en mode " ALLUMÉ " ou en mode " PARAMÉTRAGE ".

- Si vous oubliez d'éteindre ou de quitter le WIFI ou lorsque la caméra est déconnectée du téléphone mobile, et qu'elle atteint l'heure " d'arrêt automatique du wifi " par défaut, la caméra quittera automatiquement le WIFI et reviendra au mode " ON " ou au mode " PARAMÉTRAGE ".

7. Description du mode de travail

1. Calibrer la position d'installation de la caméra

En mode "PARAMÉTRAGE", le meilleur angle de prise de vue et la meilleure portée de l'appareil photo peuvent être réglés.

- Au cours de l'étalonnage, vous pouvez choisir d'utiliser ou non le capteur latéral pour l'observation. Les étapes pour calibrer la position de la caméra sont les suivantes :
- Attachez la caméra à un arbre ou à un objet de 1~2 mètres de haut, ajustez la direction de l'objectif de la caméra , puis déplacez lentement la caméra vers l'autre côté pour surveiller la piste de mouvement.
- Si le témoin lumineux du capteur latéral est allumé, cela signifie que le capteur latéral a... détecté l'objet en mouvement. Si le témoin lumineux du capteur principal est allumé, cela signifie que le capteur principal a détecté l'objet en mouvement. Sur cette façon, la meilleure position pour installer la caméra peut être trouvée.
- Le témoin lumineux s'allume uniquement lorsque le capteur détecte des objets en mouvement en mode " PARAMÉTRAGE " et le voyant est éteint en mode " ALLUMÉ ".
- Veillez à ce que la caméra ne subisse pas d'interférences inutiles pendant son fonctionnement, et évitez la lumière directe du soleil ou la proximité des branches.

2. Mode de fonctionnement normal

- Dans ce mode, le capteur déclenche la prise de vue de la caméra; la caméra passe en mode de surveillance lorsque l'interrupteur est

sur " ALLUMÉ ". Après 5 secondes, les voyants LED s'éteignent et la caméra commence à fonctionner de manière indépendante et entre en mode veille. Dès qu'un animal pénètre dans la zone détectée par le capteur latéral, l'appareil photo sera activée et détectera la piste de mouvement. Si l'animal continue à se déplacer vers la zone de détection du capteur principal, la caméra prend des photos ou enregistre des vidéos automatiquement. Si l'animal quitte la zone détectée par le capteur principal, la caméra s'éteint et retourne en mode veille.

3. Mode nuit

- La nuit, la lumière LED infrarouge s'allume automatiquement pour fournir un l'éclairage nécessaire à la prise de photos. La lumière LED s'allume avec une portée d' environ 3 à 22 mètres. Si les animaux sont trop proches de la caméra , cela peut entraîner une surexposition.
- En mode nuit, la photo ou la vidéo est uniquement en noir et blanc. Lorsque enregistrement vidéo pendant une longue période, une faible tension peut avoir un effet important sur la stabilité de la caméra , donc NE PAS enregistrer de vidéo la nuit lorsque l'alimentation est faible.

Remarque: Si la caméra est utilisée de nuit lorsque la tension de la pile est faible, le courant augmente en raison de la lumière infrarouge. Une pile faible peut avoir un effet important sur la stabilité de la caméra. la caméra ne peut pas prendre de photos/vidéos ou prendre des images très sombres, mais cela n'affecte pas la photo ou la vidéo de jour.

8. Image / Sortie de données

Connectez-vous à votre ordinateur pour télécharger des photos/ vidéos Une fois que l'appareil photo est connecté à l'ordinateur et passe en mode disque amovible, un disque amovible sera ajouté dans la fenêtre « Poste de travail ». Les photos ou vidéos prises

seront stockées dans le répertoire "DCIM\100MEDIA" sur le disque amovible. Vous pouvez entrer dans ce répertoire pour copier des fichiers sur le disque dur de votre ordinateur.

Remarque : pour éviter toute perte de données, ne débranchez pas le câble de données pendant le téléchargement du fichier et ne branchez ou ne débranchez pas la carte mémoire lorsqu'elle est connectée.

9. Spécification

Écran LCD	2,4 pouces
Résolution des photos	30MP, 24MP, 20MP, 16MP, 12MP, 8MP, 5MP. 3MP, 1MP
Résolution vidéo	4K/30fps, 2K/30fps, 1296P/30fps, 1080P/30fps, 720P/30fps, 480P/30fps, 360P/30fps
Langue des menus	Anglais, français, espagnol, portugais, allemand, italien, chinois et japonais
Carte mémoire	Prise en charge de la carte TF 128 Go
Format	JPEG/MP4
USB	USB 2.0
CC	Alimentation CC externe (dc-6V/1.5A)
Haut – parleur	Support
MICRO	Support

Remarque: les spécifications de conception du produit sont formulées selon les dernières informations dans la préparation de ce manuel et sont susceptibles de changer sans préavis. Veuillez-vous référer à la caméra réelle.

Indice

1. Introduzione alle funzioni	60
2. Istruzioni per l'uso	60
3. Aspetto, Introduzione alla funzione dei pulsanti	61
4. Impostazioni di Sistema	63
5. Modalità di riproduzione	69
6. Accendere il WIFI tramite Bluetooth Remote	71
7. Descrizione della modalità di lavoro	75
8. Immagine / Uscita dati	76
9. Specifiche	77

1. Introduction de la fonction

Grazie per aver acquistato la nostra videocamera da caccia BRAUN. Questo prodotto è una macchina fotografica digitale ad alta definizione dedicata che può registrare e osservare la fauna selvatica. Questa telecamera e macchina fotografica ha una tecnologia di rilevamento piroelettrico animale/umano. Può catturare automaticamente immagini ad alta risoluzione e video senza alcun intoppo.

Questa telecamera da caccia funzionerà in modalità di risparmio energetico quando non viene rilevato l'animale, il che può anche durare a lungo. Prima di utilizzare questa videocamera, si prega di leggere attentamente il presente manuale. Se sei in difficoltà o hai bisogno di aiuto, ti preghiamo gentilmente di contattare il nostro Servizio Clienti via e-mail: post@braun-phototechnik.de

2. Istruzioni per l'uso:

- Prima di utilizzare questo dispositivo, si prega di individuare il contenitore della batteria e installare otto batterie 1.5VAA, assicurarsi che la polarità della batteria sia corretta..
- Quando si utilizza un adattatore di alimentazione, si prega di trovare la porta DC nella parte inferiore della fotocamera e collegarla all'estremità dell'adattatore di alimentazione per fornire alimentazione. (Nota: usare l'adattatore DC 6.0V/1.5A).
- Quando si usa una scheda di memoria appena acquistata per la prima volta, assicurarsi di formattarla prima di usarla.
- Questa videocamera deve utilizzare una scheda TF ad alta velocità di grado C10 o superiore.

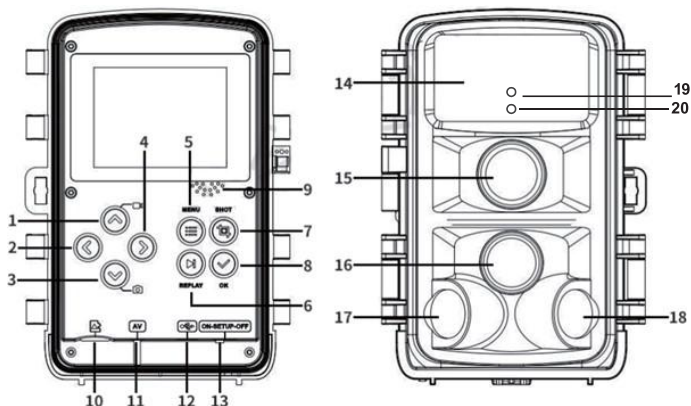
Di seguito è riportato come utilizzare la scheda di memoria:

- Secondo le istruzioni accanto allo slot della scheda di memoria (chipset verso il basso), spingere la scheda TF nello slot finché la scheda non è completamente inserita.

- Per rimuovere la scheda TF, premere delicatamente l'estremità della scheda di memoria verso l'interno, e la scheda di memoria salterà fuori.
- In caso di uso ripetuto o improprio, la scheda di memoria ridurrà le sue prestazioni o potrebbe danneggiare i dati registrati. È necessario acquistare una nuova scheda di memoria.

Nota: La scheda di memoria diventerà calda dopo un uso prolungato, il che è normale.

3. Aspetto, Introduzione alla funzione dei pulsanti



- | | | |
|---------------------------------|-------------------------------|---------------------|
| 1. Pulsante SOPRA | 2. Pulsante SINISTRA | 3. Pulsante SOTTO |
| 4. Pulsante DESTRA | 5. Pulsante MENU | 6. Pulsante REPLAY |
| 7. Pulsante SCATTO | 8. Pulsante OK | 9. Altoparlante |
| 10. Slot TF | 11. Interfaccia AV | 12. Interfaccia USB |
| 13. ON SETUP OFF Mode | 14. Luce LED | 15. Obiettivo |
| 16. PIR principale | 17. PIR secondario sinistro | |
| 18. PIR secondario destro | 19. Spia del Sensore Laterale | |
| 20. Spia del Sensore Principale | | |

Pulsanti	Funzioni
Pulsante SU	<ol style="list-style-type: none"> 1. Premere brevemente il pulsante UP per selezionare l'impostazione quando si è in modalità di impostazione del menu. 2. Premere brevemente il pulsante UP per passare alla modalità di registrazione quando si è in modalità immagine. 3. Impostare l'ora e la password di accensione, premere brevemente il pulsante UP per regolare i numeri o le lettere verso l'alto.
Pulsante GIÙ	<ol style="list-style-type: none"> 1. Premere brevemente il pulsante GIÙ per selezionare l'impostazione verso il basso quando si è in modalità di impostazione del menu. 2. Premere brevemente il pulsante GIÙ per passare alla modalità immagine quando si è in modalità di registrazione. 3. Impostare l'ora e la password di accensione, premere brevemente il pulsante GIÙ per regolare i numeri o le lettere verso il basso..
Pulsante SINISTRA/DESTRA	<ol style="list-style-type: none"> 1. Premere brevemente il pulsante SINISTRA/DESTRA per passare alla modalità menu nella modalità menu principale, e premere brevemente il pulsante SINISTRA/DESTRA per la selezione destra nella modalità di impostazione del menu. 2. Premere brevemente il pulsante SINISTRA/DESTRA per la selezione a destra nell'interfaccia di riproduzione. 3. Impostare l'ora e la password di accensione, premere brevemente il pulsante SINISTRA/DESTRA per selezionare l'opzione successiva.

Pulsante MENU	<ol style="list-style-type: none"> 1. Aprire e uscire dalla funzione del menu di impostazione. 2. Nella modalità di riproduzione, una breve pressione può far apparire la funzione del menu di cancellazione.
Pulsante PLAY	Anteprima dell'immagine o del file video.
Pulsante SCATTO	Funzione di registrazione/cattura video
Pulsante OK	<ol style="list-style-type: none"> 1. Nell'impostazione del menu, premere brevemente per confermare la funzione. 2. Nella modalità di riproduzione, premere brevemente per riprodurre e mettere in pausa la funzione video.

4. Impostazioni di Sistema

Accensione e spegnimento / Impostazioni di sistema

- Dopo aver inserito la batteria, premere la modalità da "OFF" a "SETUP" per avviare, e si può impostare la funzione.
- Premere il pulsante MENU per impostare il menu del sistema, i pulsanti SINISTRA e DESTRA per passare alle varie modalità, i pulsanti SU e GIÙ per entrare nelle impostazioni delle funzioni del menu. Premere nuovamente il pulsante MENU per tornare al menu precedente o per uscire all'interfaccia di anteprima come illustrato:



- Premere il pulsante SU o GIÙ per passare dalla modalità foto a quella video e viceversa.
- Passare alla posizione ON per la modalità di monitoraggio: quando è impostato sulla posizione ON in ogni modalità di ripresa di una fotografia, video, video+fotografia, l'uscita di ogni funzione sarà eseguita.
- Commutare su OFF per spegnere lo stato, l'LCD non può visualizzare alcuna uscita.:

1. Modalità

La videocamera ha tre modalità: Photo, Filmati, Phot + Filmati

- Photo:
Selezionare le impostazioni delle dimensioni dell'immagine, che includono: 30MP, 24MP, 20MP, 16MP, 12MP, 8MP, 5MP, 3MP, 1MP. Più grande è la dimensione, più alta è la risoluzione dell'immagine, meno foto possono essere memorizzate dalla scheda di memoria, e viceversa. Questo è disponibile sull'interfaccia di impostazione "Dim.Immag.".Impostazione dell'interfaccia
- Filmati
Selezionare le impostazioni di risoluzione video, che includono: 4K 30fps, 2K 30fps, 1296 30fps, 1080 30fps, 720 30fps, 480 30fps, 360 30fps. Più alta è la risoluzione, più alta è la definizione, e più breve è il tempo video che la scheda di memoria può memorizzare, e viceversa. Questo è disponibile sull'interfaccia di impostazione "Dimens. Immagine".
- Photo+ Filmati: In modalità ON, la videocamera scatta foto e poi registra.

Nota: quando la videocamera sta lavorando in modalità SETUP e non è stata utilizzata per più di un certo periodo di tempo, si spegnerà automaticamente per risparmiare energia. L'utente può fare clic su qualsiasi pulsante per aprire lo schermo e ripristinare la visualizzazione.

2. PIR Interval

- Impostare l'intervallo PIR. Quando si scelgono diverse modalità, il periodo di tempo impostato è diverso.
- Photo: Tempo di impostazione dell'intervallo PIR (tra 5 secondi e 60 minuti)
- Filmati e Photo + Filmati: Tempo di impostazione dell'intervallo PIR (tra 10 secondi e 60 minuti)
- Durante l'intervallo di tempo selezionato, la videocamera non registrerà alcuna foto o video, il che può evitare che la scheda di memoria salvi troppi file e occupi la capacità della memoria..

3. PIR Sensitivity

Impostare la sensibilità del sensore principale.

- Quando l'ambiente interno è molto piccolo, deve essere selezionata "Bassa".
- Quando l'ambiente esterno è normale, selezionare "Media".
- Quando l'ambiente esterno ha un grande impatto sulla ripresa, deve essere selezionata "Alta"..

4. IR LED

- Opzione: Auto, Economia, OFF
- Auto: Se si tratta di riprese in ambiente notturno, regola automaticamente la luminosità della luce in modo ragionevole in base al consumo attuale della batteria.
- Economia: Finché la luce IR LED è accesa, la luce sarà in una luminosità più debole per far durare di più la batteria;
- OFF: Quando è spenta, la luce IR non si accende quando la luce è scura o completamente nera.
- **Nota:** Si raccomanda di usare l'opzione "Auto" per regolare automaticamente la luminosità della luce IR-LED in base allo stato di carica della batteria.

5. Time Lapse

Imposta il time lapse della videocamera. Per esempio, per osservare il processo di fioritura delle piante, usando questa funzione e impostando l'intervallo tra ogni scatto, è possibile registrare l'intero processo di fioritura. Quando si sceglie Time Lapse, premere il pulsante "OK" per aprire questo menu. Selezionando "ON" si aprirà una finestra Ore/Minuti/Secondi da impostare. (Quando questa funzione è attiva, il sensore principale/secondario non funziona).

6. Monitoring Period

Impostare il tempo di lavoro della videocamera, selezionare "Monitor Period", poi premere "OK" per selezionare "ON", e si può impostare l'ora di inizio e di fine della videocamera. Dopo l'impostazione, la videocamera funzionerà solo entro il tempo impostato ogni giorno, e l'altro tempo sarà in stato di standby. (Quando questa funzione è attiva, il sensore principale/secondario non funziona)

7. Side PIR Setup

L'induzione è più ampia quando entrambi i lati del PIR sono ON (per la pre-apertura). Quando è OFF, i due lati dell'induzione non partono.

8. Dim.Immag

Selezionare le impostazioni della dimensione dell'immagine, che comprendono: 30MP, 24MP, 20MP, 16MP, 12MP, 8MP, 5MP, 3MP, 1MP. Più grande è la dimensione, più alta è la risoluzione dell'immagine, meno foto possono essere memorizzate dalla scheda di memoria, e viceversa.

9. Picture No

Opzione Burst Photo: 1-10, ovvero è possibile selezionare 1, 2, 3...10 funzioni di scatto continuo di foto.

10. Shutter speed

Shutt Opzione velocità di scatto: 1/15, 1/20, 1/30. La visione notturna ha una luminosità diversa.

11. Dimens. Immagine

Seleziona le impostazioni di risoluzione video, che includono: 4K 30fps, 2K 30fps, 1296 30fps,

1080 30fps, 720 30fps, 480 30fps, 360 30fps.

Più alta è la risoluzione, più alta è la definizione, e più breve è il tempo video che la scheda di memoria può memorizzare, e viceversa

12. Video Length

Imposta la lunghezza del video (5-180 secondi opzionale). Più lunga è la scelta, più lungo è il tempo di registrazione del video. Il sistema preimposta la lunghezza del video a 5 secondi.

13. Audio record

Opzione: "ON" o "OFF". Quando è attivata, c'è suono nel video registrato; quando è disattivata, non c'è suono nel video registrato.

14. Data/Ora

Ora e data: Regolare l'ora e la data corrispondenti secondo l'ora locale, poi premere SU/GIÙ per modificare la dimensione del valore numerico, premere il pulsante SINISTRA/DESTRA per confermare il valore corrente ed entrare nell'opzione di impostazione successiva.

Nel formato anno/mese/giorno: premere il pulsante SU/GIÙ per selezionare il formato (YY/MM/DD, MM/DD/YYYY, DD/MM/YYYY). Dopo l'impostazione, premere OK/MENU per tornare al menu precedente.

15. Time Format

Opzione: 12 o 24 ore

16. Stampa Data

Quando questa funzione è attivata, il file catturato ha delle filigrane come ora/data/temperatura. Quando questa funzione è spenta, non viene visualizzata alcuna filigrana.

17. Camera Name

Il nome della videocamera può essere impostato, e sarà visualizzato nella filigrana del video e dell'immagine catturata.

18. Password Setting

Per impostare la password di accensione della videocamera: Aprire l'impostazione della password. È possibile impostare la combinazione di 4 cifre più lettera (0-9 e AZ). Se si dimentica la password di accensione, usare la password universale per sbloccare. Il metodo di sblocco è "1111". Allo stesso tempo, girare il pulsante di modalità in modalità SETUP, e la fotocamera sarà sbloccata in questo momento.

19. Bluetooth

- Quando è ON (la modalità è "ON" o "SETUP"), il telefono cellulare può cercare di trovare il Bluetooth.
- Quando è OFF, non è possibile cercare il Bluetooth.

20. WIFI SSID

È possibile modificare il nome SSID WIFI. Dopo la modifica, il nome WIFI sarà presentato e il telefono cellulare può cercare questo nome SSID WIFI.

21. WIFI Password

Impostare la password WIFI. Dopo aver impostato con successo, inserire questa password quando il telefono cellulare è collegato alla fotocamera WIFI.

22. Auto WIFI Off

Impostare la fotocamera per spegnere automaticamente il tempo WIFI. È possibile scegliere 1 minuto / 2 minuti / 3 minuti. Quando la telecamera è in modalità monitoraggio o SETUP, dopo l'accensione del WIFI o dopo la connessione al WIFI e l'utilizzo dell'APP, il telefono si disconnette dalla telecamera. Dopo aver raggiunto il tempo predefinito della fotocamera "spegnere automaticamente il WIFI", la fotocamera uscirà automaticamente dal WIFI e tornerà automaticamente alla modalità ON (monitoraggio) o SETUP.

23. Segnale acust.

Opzione: ON o OFF. Entrambi i tasti e l'accensione/spegnimento sono muti quando OFF.

24. Lingua

Questa videocamera da caccia supporta più lingue.

25. Formattazione

Eeguire per formattare la scheda SD. Tutti i dati saranno cancellati dopo la formattazione.

26. Impost.predef.

Tutte le funzioni sono riportate allo stato iniziale con l'impostazione predefinita.

5. Modalità di riproduzione

- Rimuovere la videocamera da caccia dalla posizione installata, passare il pulsante da "ON" a SETUP, premere il pulsante REPLAY per entrare nella modalità di riproduzione, premere Sopra/Sotto per visualizzare i video e le immagini. Premere OK per fermare/riprodurre e premere il pulsante REPLAY per tornare al menu di anteprima. Durante la riproduzione, premere il pulsante UP per far avanzare velocemente la riproduzione 2 volte, 4 volte, 8 volte;

premere il pulsante per far retrocedere velocemente la riproduzione -2 volte, -4 volte, -8 volte. Se non si desidera riprodurre il video corrente durante la riproduzione, premere il pulsante REPLAY per uscire dalla riproduzione corrente.

- Nell'interfaccia di riproduzione, premere il pulsante MENU per entrare nel menu Recovery Setting (eliminazione/protezione) come mostrato nell'immagine..

- Cancellare

Selezionare "Delete Current" (Elimina corrente) per eliminare le immagini o i video selezionati nella scheda di memoria della videocamera.

Selezionare "Delete All" (Elimina tutto) per eliminare tutte le immagini o i video presenti nella scheda di memoria della fotocamera.

- Proteggere

Selezionare "Blocca corrente" per evitare che il documento attualmente impostato venga accidentalmente cancellato.

Selezionare "Sblocca corrente" per rimuovere la protezione del documento corrente.

Selezionare "Blocca tutto" per evitare che tutti i documenti nella scheda di memoria vengano accidentalmente cancellati.

Selezionare "Sblocca tutto" per sbloccare la protezione dei documenti multipli.

6. Accendere il WIFI tramite Bluetooth Remote

1. Connessione WIFI con APP

- Prima di usare il WIFI, installare l'APP "Hunting 4K Pro" sul proprio telefono cellulare. Per il tuo dispositivo Android, cerca "Hunting 4K Pro" in Google Play. Per installare su un dispositivo IOS, si prega di cercare "Hunting 4K Pro" in Apple Store e installare.
- Puoi scansionare il codice QR per scaricare l'APP "Hunting 4K Pro".

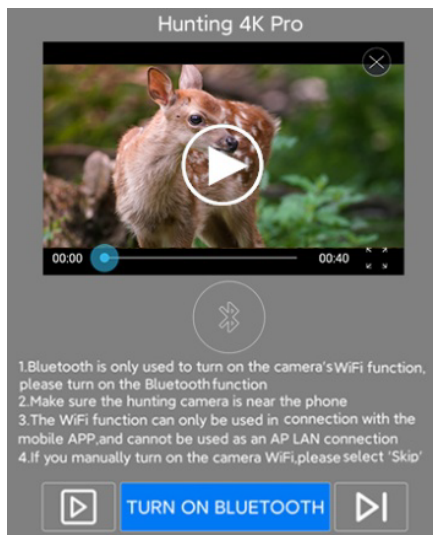


Android/IOS

2. Eseguire l'applicazione "Hunting 4K Pro" nel dispositivo

Prima di eseguire l'app, assicurati che la modalità della fotocamera sia "ON".

FASE 1: Fare clic su ACCENDERE BLUETOOTH per cercare automaticamente il Bluetooth.



Hunting 4K Pro

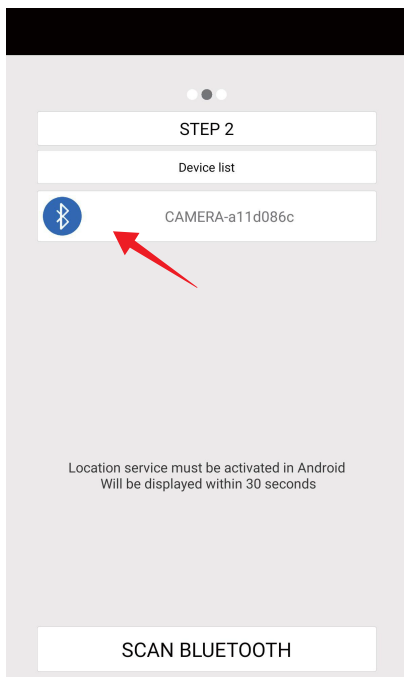
00:00 00:40

1. Bluetooth is only used to turn on the camera's WiFi function, please turn on the Bluetooth function
2. Make sure the hunting camera is near the phone
3. The WiFi function can only be used in connection with the mobile APP, and cannot be used as an AP LAN connection
4. If you manually turn on the camera WiFi, please select 'Skip'

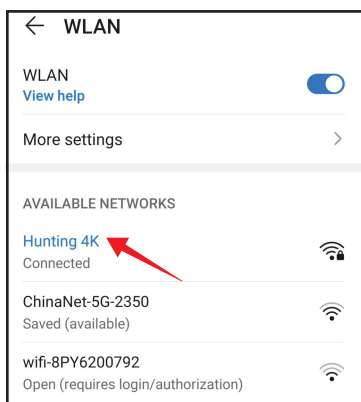
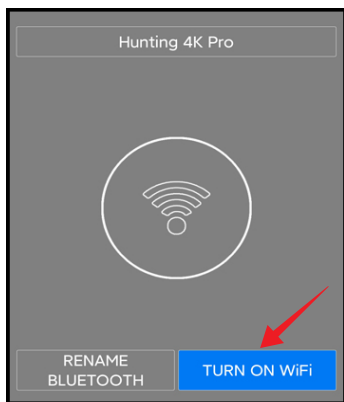
TURN ON BLUETOOTH

FASE 2: Cercare il Bluetooth chiamato CAMERA-***** (8 x codice generato a caso);

Il tempo di ricerca è di 30s, fare clic su Accoppiamento una volta che l'hai trovato. Se non lo trovi, per favore cerca di nuovo. Abbinare e passare al passo successivo..



FASE 3: Selezionare "Accendi il WiFi", il telefono salterà automaticamente all'interfaccia di connessione wifi. (I telefoni IOS non possono entrare direttamente nell'interfaccia di connessione WIFI a causa dei diversi sistemi. Si prega di entrare manualmente nella pagina di connessione WIFI). Cercare "Hunting 4K" e inserire la password originale: **12345678**. Dopo il successo della connessione, tornare all'APP e fare clic su "+" per utilizzare la fotocamera.



3. Uscire dal WIFI

- Quando ha finito con l'APP, può cliccare "EXIT" sull'interfaccia di anteprima dell'APP per spegnere il WIFI. La videocamera entrerà in modalità "ON" o "SETUP".

- Se si dimentica di spegnere o uscire dal WIFI o quando la videocamera è scollegata dal telefono cellulare, e raggiunge il tempo predefinito della videocamera "auto shutdown wifi", la videocamera uscirà automaticamente dal WIFI e tornerà alla modalità "ON" o "SETUP".

7. Descrizione della modalità di lavoro

1. Calibrare la posizione di installazione della telecamera

Nella modalità "SETUP", il miglior angolo di ripresa e la portata della telecamera possono essere regolati.

- Durante la calibrazione, è possibile scegliere se utilizzare il sensore laterale per l'osservazione. I passi per calibrare la posizione della videocamera sono i seguenti:
- Legare la videocamera ad un albero o ad un oggetto alto 1~2 metri, regolare l'obiettivo della videocamera direzione, e poi spostare lentamente la videocamera dall'altro lato per monitorare la traccia del movimento.
- Se la spia del sensore laterale è accesa, significa che il sensore laterale ha rilevato l'oggetto in movimento. Se la spia del sensore principale è accesa, significa che il sensore principale ha rilevato l'oggetto in movimento. In questo modo, è possibile trovare la posizione migliore per l'installazione della videocamera.
- L'indicatore luminoso sarà acceso solo quando il sensore rileva oggetti in movimento nella modalità "SETUP" e il LED è spento nella modalità "ON".
- Assicurarsi che la videocamera non subisca interferenze inutili quando sta funzionando, ed evitare la luce diretta del sole o vicino ai rami..

2. Modalità di funzionamento normale

- In questa modalità, la videocamera viene attivata per scattare dal sensore; la videocamera entra in modalità di monitoraggio

quando l'interruttore è "ON". Dopo 5 secondi, il LED luci si spengono e la videocamera inizia a funzionare in modo indipendente ed entra modalità standby. Una volta che un animale entra nell'area rilevata dal sensore laterale, la telecamera si attiva e rileva la traccia di movimento. Se l'animale continua a muoversi verso l'area di rilevamento del sensore principale, la telecamera scatta foto o registra video automaticamente, Se l'animale lascia l'area rilevata dal sensore principale, la telecamera si spegnerà e tornerà in modalità standby.

3. Modalità notturna

- Di notte, la luce LED a infrarossi si accende automaticamente per fornire l'illuminazione necessaria per scattare le foto. La luce LED si illumina con una portata di circa 3-22 metri. Se gli animali sono troppo vicini alla fotocamera, può causare una sovraesposizione.
- In modalità notturna, la foto o il video sono solo in bianco e nero. Quando si registra un video per un lungo periodo, la bassa tensione può avere un grande effetto sulla stabilità della videocamera, quindi NON registrare video di notte quando l'alimentazione è bassa.

Nota: Se la videocamera viene utilizzata di notte quando la tensione della batteria è bassa, la corrente aumenta a causa della luce infrarossa. La batteria scarica può avere un grande effetto sulla stabilità della videocamera. La videocamera non può scattare foto/video o scattare immagini molto immagini scure, ma non influisce sulla foto o sul video di giorno.

8. Immagine / Uscita dati

Collegare al computer per scaricare foto/video

Dopo che la videocamera è collegata al computer ed entra nella modalità disco rimovibile, un disco rimovibile sarà aggiunto nella finestra "My Computer". Le foto o i video ripresi saranno

memorizzati nella directory "DCIM\100MEDIA" sul disco rimovibile. È possibile entrare in questa directory per copiare i file sul disco rigido del computer.

Nota: per evitare la perdita di dati, non scollegare il cavo dati durante il download dei file, e non collegare o scollegare la scheda di memoria quando è collegata.

9. Specifiche

LCD Screen	2.4 pollici
Risoluzione Foto	30MP, 24MP, 20MP, 16MP, 12MP, 8MP, 5MP, 3MP, 1MP
Risoluzione Video	4K 30fps, 2K 30fps, 1296 30fps, 1080 30fps, 720 30fps, 480 30fps, 360 30fps
Lingua del menu	inglese, francese, spagnolo, portoghese, Deutsch, italiano, cinese e giapponese
Scheda di memoria	TF card support 128GB
Formato	JPEG/MP4
USB	USB 2.0
DC	Alimentazione esterna DC (dc-6V/1.5A)
Altoparlante	Supporto
Microfono	Supporto

Nota: le specifiche di progettazione del prodotto sono formulate secondo le ultime informazioni nella preparazione di questo manuale e sono soggette a modifiche senza preavviso. Si prega di fare riferimento alla telecamera reale..

Tabla de contenidos

1. Introducción a las funciones-----	79
2. Instrucciones de uso-----	79
3. Introducción a la función de los botones-----	80
4. Ajustes del sistema-----	82
5. Modos de reproducción-----	88
6. Encienda el WIFI con el mando Bluetooth-----	90
7. Descripción del modo de trabajo-----	94
8. Salida de imágenes/datos-----	95
9. Especificaciones-----	96

1. Introducción a las funciones

Gracias por comprar nuestra cámara de caza BRAUN. Este producto es una cámara digital dedicada de alta definición que permite grabar y observar la vida silvestre. Esta cámara cuenta con tecnología piroeléctrica de detección de animales/humanos. Puede capturar automáticamente imágenes de alta resolución y vídeo con fluidez. Esta cámara de caza estará en modo de ahorro de energía cuando no haya detección de animales (cuerpo), algo que puede suceder durante un largo periodo de tiempo. Para operar la cámara, por favor lea este manual cuidadosamente antes de usarla.

Si tiene problemas o necesita ayuda, comuníquese con nuestro Equipo de Servicio al Cliente por correo electrónico:
post@braun-phototechnik.de

2. Instrucciones de uso:

- Antes de usar este producto, por favor, localice el contenedor de las pilas e instale ocho pilas 1.5VAA, asegurándose de la correcta polaridad de las pilas.
- Cuando utilice un adaptador de corriente, por favor busque el puerto DC en la parte inferior de la cámara y conéctelo en el extremo del adaptador de corriente para alimentarlo. (Nota: Utilice el adaptador DC 6.0V/1.5A).
- Cuando utilice por primera vez una tarjeta de memoria recién comprada, asegúrese de formatearla antes de su uso.
- Esta cámara debe utilizar una tarjeta TF de alta velocidad de grado C10 o superior.

El uso de la tarjeta de memoria es el siguiente:

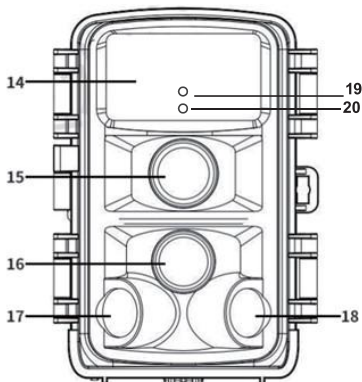
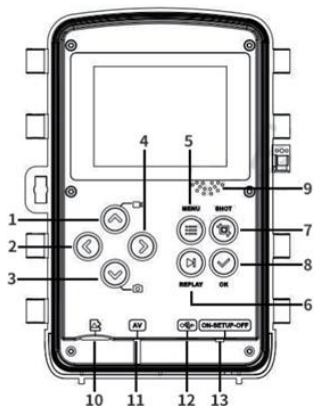
- De acuerdo con las instrucciones que aparecen junto a la ranura

de la tarjeta de memoria (conjunto de chips hacia abajo), introduzca la tarjeta TF en la ranura hasta que la tarjeta esté insertada por completo.

- Para extraer la tarjeta TF, presione suavemente el extremo de la tarjeta de memoria hacia dentro, y la tarjeta de memoria saldrá.
- Si se utiliza de forma repetida o inadecuada, la tarjeta de memoria reducirá su rendimiento o puede dañar los datos grabados. Será necesario comprar una nueva tarjeta de memoria.

Nota: Después de un uso prolongado, la tarjeta de memoria puede calentarse, lo cual es normal.

3. Introducción a la función de los botones



1. Botón ARRIBA (UP)
2. Botón IZQUIERDA (LEFT)
3. Botón ABAJO (DOWN)
4. Botón DERECHA (RIGHT)
5. Botón MENÚ
6. Botón REPETIR (REPLY)

7. Botón DISPARO (SHOT)
8. Botón OK
9. Altavoz
10. Ranura TF
11. Interfaz AV
12. Interfaz USB

- | | |
|-----------------------|---|
| 13. Modo ON SETUP OFF | 17. PIR secundario izquierdo |
| 14. Luz LED | 18. PIR secundario derecho |
| 15. Objetivo | 19. Luz Indicadora del Sensor Lateral |
| 16. PIR principal | 20. Luz Indicadora del Sensor Principal |

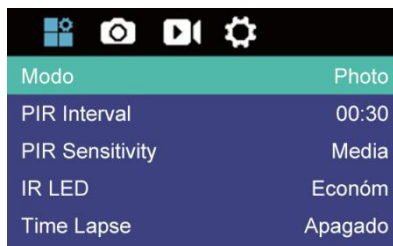
Botones	Funciones
Botón ARRIBA (UP)	<ol style="list-style-type: none"> 1. Pulse brevemente el botón ARRIBA para seleccionar el ajuste superior cuando esté en el modo de ajuste del menú. 2. Pulse brevemente el botón ARRIBA para cambiar al modo de grabación cuando esté en el modo de imagen. 3 Establezca la hora y la contraseña de encendido, pulse brevemente el botón ARRIBA para ajustar los números o las letras hacia arriba.
Botón ABAJO (DOWN)	<ol style="list-style-type: none"> 1. Pulse brevemente el botón ABAJO para seleccionar hacia abajo el ajuste cuando esté en el modo de ajuste del menú. 2. Pulse brevemente el botón ABAJO para cambiar al modo de imagen cuando esté en el modo de grabación. 3. Establezca la hora y la contraseña de encendido, pulse brevemente el botón ABAJO para ajustar los números o las letras hacia abajo.
Botón IZQUIERDA/ DERECHA (LEFT/RIGHT)	<ol style="list-style-type: none"> 1. Pulse brevemente el botón LEFT/RIGHT para cambiar el modo de menú en el modo de menú principal, y pulse brevemente el botón LEFT/RIGHT para la selección derecha en el modo de ajuste del menú. 2. Pulse brevemente el botón LEFT/RIGHT para seleccionar la derecha en la interfaz de reproducción. 3. Establezca la hora y la contraseña de encendido, pulse brevemente el botón LEFT/RIGHT para seleccionar la siguiente opción.

Botón MENÚ	<ol style="list-style-type: none"> 1. Abra y salga de la función de configuración del menú. 2. En el modo de reproducción, pulse brevemente para acceder a la función de borrar el menú.
Botón REPRODUCCIÓN (PLAY)	Previsualiza el archivo de imagen o vídeo..
Botón DISPARO (SHOT)	Función de grabación/captura de vídeo.
Botón OK	<ol style="list-style-type: none"> 1. En la configuración del menú, pulse brevemente para confirmar la función. 2. En el modo de reproducción, pulse brevemente para reproducir y pausar la función de vídeo.

4. Ajustes del sistema

Encendido y apagado /Ajustes del sistema

- Después de poner la pila, pulse el modo de "OFF" a "SETUP" para arrancar, y podrá ajustar la función.
- Pulse el botón MENÚ para establecer los ajustes del menú del sistema, los botones IZQUIERDA y DERECHA para cambiar en varios modos, los botones ARRIBA y ABAJO para entrar en los ajustes de las funciones del menú. Pulse de nuevo el botón MENÚ para volver al menú anterior o salir a la interfaz de vista previa como se muestra en la imagen:



- Pulse el botón ARRIBA o ABAJO para cambiar entre el modo de fotografía y el de vídeo.
- Póngalo en posición ON para el modo de monitorización: cuando está ajustado en la posición ON en cada modo para tomar una fotografía, vídeo, vídeo+fotografía, se ejecutará el resultado de cada función.
- Póngalo en posición OFF para desactivar el estado, la pantalla LCD no mostrará ninguna información.

1. Modo

La cámara tiene tres modos: Photo, Vídeo, Photo+Vídeo.

- Photo:
 Seleccione la configuración del tamaño de la imagen, la cual incluye: 30MP, 24MP, 20MP, 16MP, 12MP, 8MP, 5MP, 3MP, 1MP. Cuanto mayor sea el tamaño, mayor será la resolución de la imagen, menos fotos podrá almacenar la tarjeta de memoria. Esto está disponible en la interfaz de ajuste "Tam. Imág."
- Vídeo
 Seleccione la resolución de vídeo en Ajustes, la cual incluye: 4K 30fps, 2K 30fps, 1296 30fps, 1080 30fps, 720 30fps, 480 30fps, 360 30fps. Cuanto mayor sea la resolución, mayor será la definición y menor será el tiempo de vídeo que pueda almacenar la tarjeta de memoria, y viceversa. Esto está disponible en la interfaz de
- Ajustes en "Resolución".
 Photo+Vídeo: En el modo ON, la cámara hace fotos y luego graba.
Nota: cuando la cámara está trabajando en el modo SETUP y no ha sido utilizada durante más de un cierto período de tiempo, se apagará automáticamente para ahorrar energía. El usuario puede hacer clic en cualquier botón para abrir la pantalla y restablecer la visualización.

2. PIR Interval

- Ajuste el intervalo PIR. Cuando elige diferentes modos, el período de tiempo fijado es diferente.
- Photo: Tiempo de ajuste del intervalo PIR (entre 5 segundos y 60 minutos).
- Vídeo y Photo+Vídeo: Tiempo de ajuste del intervalo PIR (entre 10 segundos y 60 minutos).
- Durante el intervalo de tiempo seleccionado, la cámara no grabará ninguna foto o vídeo, lo que puede evitar que la tarjeta de memoria guarde demasiados archivos y ocupe la capacidad de la memoria.

3. PIR Sensitivity

Ajuste la sensibilidad del sensor principal.

- Cuando el entorno en interiores es muy pequeño, se seleccionará "Baja".
- Cuando el entorno en exteriores es normal, se seleccionará "Media".
- Cuando el entorno en exteriores tiene un gran impacto en la toma de fotografías, se seleccionará "Alta".

4. IR LED

- Opción: Auto, Económ., Apagado
- Auto: Si está fotografiando un entorno nocturno, ajustará automáticamente el brillo de la luz de forma adecuada según el uso actual de la batería.
- Económ.: Mientras la luz LED IR esté encendida, la luz estará en un brillo más débil para que la pila dure más;
- Apagado: Cuando se desactiva, la luz IR no se encenderá cuando la luz sea oscura o completamente negra.
- **Nota:** Se recomienda utilizar la opción "Auto" para ajustar automáticamente el brillo de la luz IR-LED según el estado de la batería.

5. Time Lapse

Ajuste el lapso de tiempo de la cámara. Por ejemplo, para observar el proceso de floración de las plantas, utilizando esta función y ajustando el intervalo entre cada toma, puede grabar todo el proceso de floración. Cuando elija Time Lapse, pulse el botón "OK" para abrir este menú. Al seleccionar "Encendido" aparecerá una ventana de Horas/Minutos/Segundos para ajustar. (Cuando esta función está activada, el sensor principal/secundario no funciona).

6. Monitoring Period

Establezca el tiempo de funcionamiento de la cámara, seleccione "Periodo de Monitorización", luego pulse "OK" para seleccionar "Encendido", y podrá establecer la hora de inicio y la hora de finalización de la cámara. Después de configurarla, la cámara sólo funcionará dentro del horario establecido cada día, y el resto del tiempo estará en estado de reposo. (Cuando esta función está activada, el sensor principal/secundario no funciona).

7. Side PIR Setup

La inducción es más amplia cuando ambos lados del PIR están en Encendido (para la preapertura). Cuando están en Apagado, los dos lados de la inducción no se inician.

8. Tam. Imág.

Seleccione la configuración del tamaño de la imagen, que incluye: 30MP, 24MP, 20MP, 16MP, 12MP, 8MP, 5MP, 3MP, 1MP. Cuanto

mayor sea el tamaño, mayor será la resolución de la imagen, menos fotos podrá almacenar la tarjeta de memoria, y viceversa.

9. Picture No

Opción de foto en ráfaga: 1-10, lo que significa que se pueden seleccionar las funciones de tomar 1, 2, 3...10 fotos continuas.

10. Shutter speed

Opción de velocidad de obturación: 1/15, 1/20, 1/30. La visión nocturna es diferente en brillo.

11. Resolución

Seleccione la configuración de la resolución de vídeo, que incluye: 4K 30fps, 2K 30fps, 1296 30fps, 1080 30fps, 720 30fps, 480 30fps, 360 30fps. Cuanto mayor sea la resolución, mayor será la definición y menor será el tiempo de vídeo que pueda almacenar la tarjeta de memoria, y viceversa.

12. Video Length

Establezca la duración del vídeo (5-180 segundos opcional). Cuanto más tiempo elija, mayor será el tiempo de grabación del vídeo. El sistema establece por defecto la duración del vídeo en 5 segundos.

13. Audio de registro

Opción: "Encendido" - "Apagado". Cuando está activada (ON), hay sonido en el vídeo grabado; cuando está desactivada (OFF), no hay sonido en el vídeo grabado.

14. Fecha/Hora

Hora y fecha: Ajuste la hora y la fecha correspondientes de acuerdo con la hora local, luego pulse ARRIBA/ABAJO para modificar el tamaño del valor numérico, pulse el botón IZQUIERDA/DERECHA para confirmar el valor actual y entrar en la siguiente opción de ajuste.

En el formato año/mes/día: pulse el botón ARRIBA/ABAJO para seleccionar el formato (YY/MM/DD, MM/DD/YY, DD/MM/YY). Tras el ajuste, pulse OK/MENU para volver al menú anterior.

15. Time Format

Opción: Ajustes de 12 o 24 horas.

16. Impresión Fecha

Cuando esta función está activada, el archivo capturado tiene marcas de agua como hora/fecha/temperatura. Cuando esta función está desactivada, no se muestra ninguna marca de agua.

17. Camera Name

Se puede establecer el nombre de la cámara, que aparecerá en la marca de agua del vídeo y de la foto tomada.

18. Password Setting

Para establecer la contraseña de encendido de la cámara: Abra la configuración de la contraseña. Puede establecer la combinación de 4 dígitos más una letra (0-9 y AZ). Si olvida la contraseña de encendido, utilice la contraseña universal para desbloquearla. El método de desbloqueo es "1111". Al mismo tiempo, gire el botón de modo al modo SETUP, y la cámara se desbloqueará en ese momento.

19. Bluetooth

- Cuando está encendido (el modo es "ON" o "SETUP"), el teléfono móvil puede buscar el Bluetooth.
- Cuando está apagado, no se puede buscar el Bluetooth.

20. WIFI SSID

Puede modificar el nombre del WIFI SSID. Después de la modificación, se presentará el nombre de WIFI, y el teléfono móvil puede buscar este nombre de WIFI SSID.

21. WIFI Password

Configure la contraseña WIFI. Después de configurarla con éxito, introduzca esta contraseña cuando el teléfono móvil se conecte a la cámara WIFI.

22. Auto WIFI Off

Configure la cámara para que se apague automáticamente el WIFI. Puede elegir 1 minuto / 2 minutos / 3 minutos. Cuando la cámara está en modo monitorización o SETUP, después de encender el WIFI o después de conectarse al WIFI y usar la APP, el teléfono se desconecta de la cámara. Después de alcanzar el tiempo predeterminado de la cámara para " apagar automáticamente el WIFI ", la cámara saldrá automáticamente del WIFI y volverá automáticamente al modo ON (monitorización) o SETUP.

23. Sonido Bip

Opción: Encendido / Apagado. Tanto las teclas como el encendido/apagado están silenciados cuando están en OFF.

24. Idioma

Esta cámara de caza soporta múltiples idiomas.

25. Formato

Ejecute para formatear la tarjeta SD. Todos los datos se borrarán después de formatear.

26. Restaurar fábrica

Todas las funciones vuelven a su estado inicial cuando se fija la configuración predeterminada.

5. Modos de reproducción

- Retire la cámara de caza de la posición instalada, cambie el botón de "ON" a SETUP, pulse el botón REPLAY para entrar en el modo de reproducción, pulse ARRIBA/ABAJO para ver los vídeos y las imágenes. Pulse OK para parar/reproducir, y pulse el botón REPLAY para volver al menú de vista previa. Durante la reproducción, pulse el botón ARRIBA para avanzar rápidamente la reproducción 2 veces, 4 veces, 8 veces; pulse el botón para

retroceder rápidamente la reproducción -2 veces, -4 veces, -8 veces. Si no desea reproducir el vídeo actual durante la reproducción, pulse el botón REPLAY para salir de la reproducción actual.

- En la interfaz de reproducción, pulse el botón MENU para entrar en el menú de configuración de recuperación (borrar/proteger) como se muestra en la imagen.
- Borrar
Seleccione "Borrar actual" para borrar las imágenes o vídeos seleccionados en la tarjeta de memoria de la cámara.
Seleccione "Borrar todo" para borrar todas las imágenes o vídeos de la tarjeta de memoria de la cámara.
- Proteger
Seleccione "Bloquear actual" para evitar que se borre accidentalmente el documento actual.
Seleccione "Desbloquear actual" para eliminar la protección del documento actual.
Seleccione "Bloquear todo" para evitar que se borren accidentalmente todos los documentos de la tarjeta de memoria.
Seleccione "Desbloquear todo" para desbloquear la protección de múltiples documentos.

6. Encienda el WIFI con el mando Bluetooth

1. Conectar el WIFI con la APP

- Antes de utilizar el WIFI, por favor, instale la APP "Hunting 4K Pro" en su teléfono móvil. Para su dispositivo Android, por favor busque "Hunting 4K Pro" en Google Play. Para instalar en un dispositivo IOS, por favor busque "Hunting 4K Pro" en Apple Store e instálela.
- Puede escanear el código QR para descargar la APP "Hunting 4K Pro".

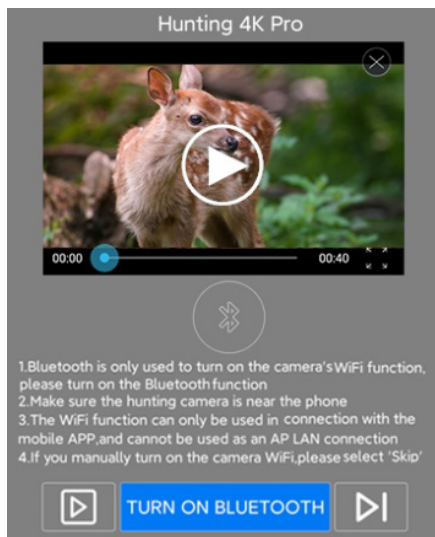


Android/IOS

2. Ejecutar la aplicación "Hunting 4K Pro" en el dispositivo

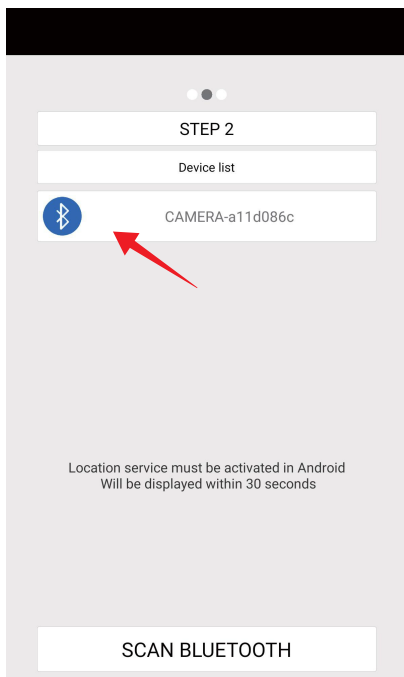
Antes de ejecutar la aplicación, asegúrese de que el modo de cámara esté "ACTIVADO".

PASO 1: Haga clic en ENCENDER BLUETOOTH para buscar automáticamente el Bluetooth.

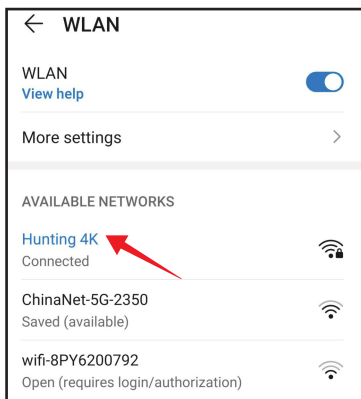
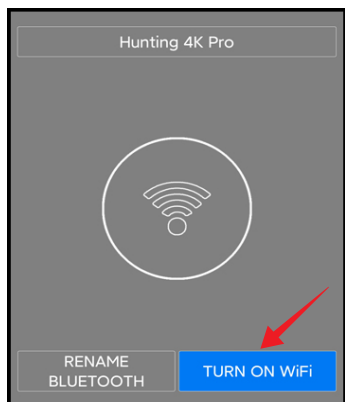


PASO 2: Busque el Bluetooth llamado CAMERA-***** (código generado al azar de 8 x);

El tiempo de búsqueda es de 30s, Haga clic en Emparejar una vez que lo encuentre . Si no lo encuentra, por favor busque de nuevo. Empareje y continúe al siguiente paso.



PASO 3: Seleccione "Activar WiFi", el teléfono saltará automáticamente a la interfaz de conexión wifi. (Los teléfonos IOS no pueden entrar directamente en la interfaz de conexión WIFI debido a los diferentes sistemas. Por favor, entre manualmente en la página de conexión WIFI). Busque "Hunting 4K" e introduzca la contraseña original: **12345678**. Después de conectar con éxito, vuelva a la APP y haga clic en "+" para utilizar la cámara.



3. Salir del WIFI

- Cuando haya terminado con la APP, puede hacer clic en "EXIT" en la interfaz de vista previa de la APP para apagar el WIFI. La cámara entrará en modo "ON" o en modo "SETUP".

- Si se olvida de apagar o salir de WIFI o cuando la cámara está desconectada del teléfono móvil, y llega a la hora de "apagado automático de wifi" por defecto de la cámara, la cámara saldrá de WIFI automáticamente y volverá al modo "ON" o "SETUP".

7. Descripción del modo de trabajo

1. Calibrar la posición de instalación de la cámara

En el modo "SETUP", se puede ajustar el mejor ángulo de disparo y puede ajustarse el alcance de la cámara

- Durante la calibración, puede elegir si desea utilizar el sensor lateral para observación. Los pasos para calibrar la posición de la cámara son los siguientes:
- Ate la cámara a un árbol o a un objeto de 1~2 metros de altura, ajuste la dirección del objetivo de la cámara y, a continuación, mueva lentamente la cámara hacia el otro lado para controlar el rastreo de movimiento.
- Si la luz indicadora del sensor lateral está encendida, significa que el sensor lateral ha detectado el objeto en movimiento. Si la luz indicadora del sensor principal está encendida, significa que el sensor principal ha detectado el objeto en movimiento. En este modo, se puede encontrar la mejor posición para instalar la cámara.
- La luz indicadora se encenderá sólo cuando el sensor detecte objetos en movimiento en el modo "SETUP" y el indicador luminoso está apagado en el modo "ON".
- Asegúrese de que la cámara no sufrirá interferencias innecesarias cuando esté funcionando, y evite la luz solar directa o cerca de las ramas.

2. Modo de funcionamiento normal

- En este modo, la cámara se dispara por el sensor; la cámara entra en el modo de monitorización cuando el interruptor está en "ON".

Después de 5 segundos, las luces LED se apagarán y la cámara comenzará a funcionar de forma independiente y entrará en el modo de espera. Una vez que un animal entra en la zona detectada por el sensor lateral, la cámara se activará y detectará la pista de movimiento. Si el animal continúa moviéndose hacia el área de detección del sensor principal, la cámara tomará fotos o grabará vídeo automáticamente. Si el animal sale de la zona detectada por el sensor principal, la cámara tomará fotos o grabará vídeo automáticamente. Si el animal abandona la zona detectada por el sensor principal, la cámara se apagará y volverá al modo de reposo.

3. Modo Noche

- Por la noche, la luz LED infrarroja se encenderá automáticamente para proporcionar la iluminación necesaria para tomar fotos. La luz LED ilumina con un alcance de unos 3-22 metros. Si los animales están demasiado cerca de la cámara, puede causar sobreexposición.
- En el modo Noche, la foto o el vídeo son sólo en blanco y negro. Cuando se graba vídeo durante mucho tiempo, un voltaje bajo puede tener un gran efecto en la estabilidad de la cámara, por lo que NO grabe vídeo por la noche cuando tenga poca carga.

Nota: Si la cámara se utiliza por la noche cuando el voltaje de la pila es bajo, la tensión aumenta debido a la luz infrarroja. La batería baja puede tener un gran efecto en la estabilidad de la cámara. La cámara no puede hacer fotos/vídeos o tomar imágenes muy oscuras, pero no afecta a las fotos o vídeos diurnos

8. Salida de imágenes/datos

Conéctese a su ordenador para descargar fotos/vídeos
Después de conectar la cámara al ordenador y entrar en el modo

de disco extraíble, se añadirá un disco extraíble en la ventana "Mi PC". Las fotos o vídeos tomados se almacenarán en el directorio "DCIM\100MEDIA" del disco extraíble. Puede entrar en este directorio para copiar los archivos en el disco duro de su ordenador.

Nota: para evitar la pérdida de datos, no desconecte el cable de datos durante la descarga de archivos y no introduzca ni saque la tarjeta de memoria cuando esté conectado.

9. Especificaciones

Pantalla LCD	2.4 pulgadas
Resolución de foto	30MP, 24MP, 20MP, 16MP, 12MP, 8MP, 5MP, 3MP, 1MP
Resolución de video	4K/30fps, 2K/30fps, 1296P/30fps, 1080P/30fps, 720P/30fps, 480P/30fps, 360P/30fps
Idiomas del menú	Inglés, Francés, Español, Portugués, Alemán, Italiano, Chino y Japonés
Tarjeta de memoria	Tarjeta TF de 128GB
Formato	JPEG/MP4
USB	USB 2.0
DC	Fuente de alimentación externa de CC (dc-6V/1.5A)
Altavoz	Soporta
MIC	Soporta

Nota: las especificaciones de diseño del producto se formulan de acuerdo con la última información en la preparación de este manual y están sujetas a cambios sin previo aviso. Por favor, remítase a la cámara real.